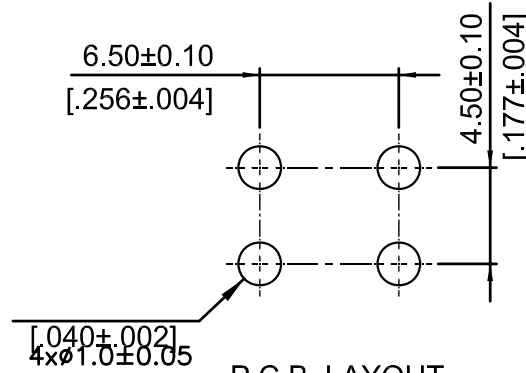
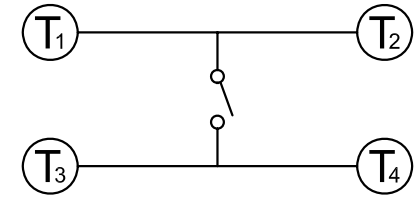


**NOTE:**

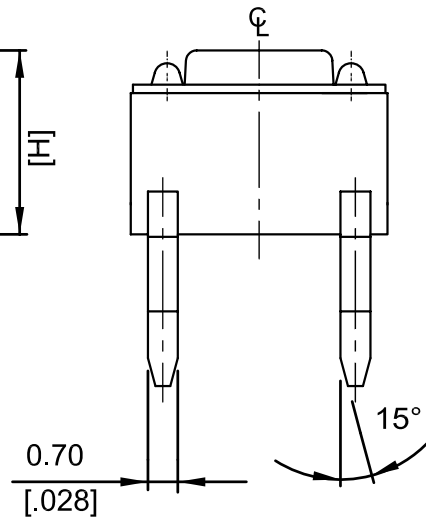
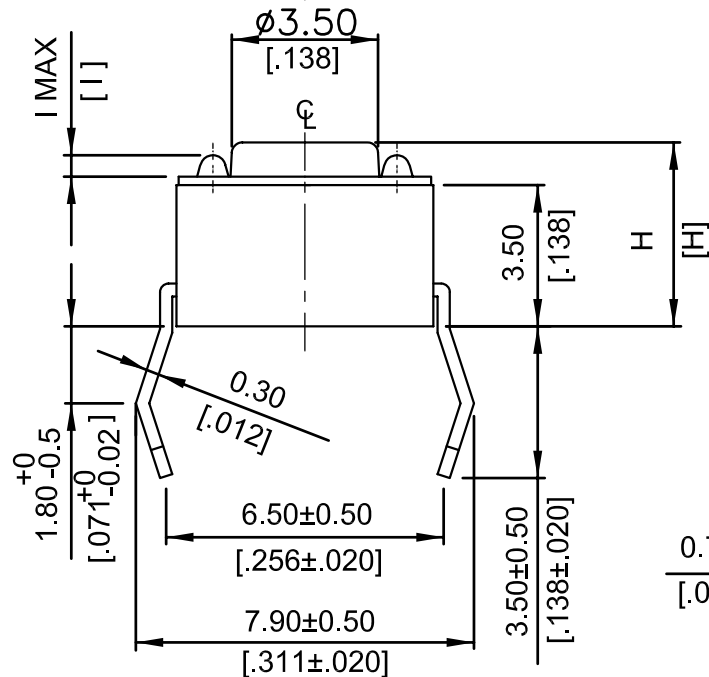
1. ALL DIMENSIONS ARE IN MILLIMETERS, BRACKETED DIMENSIONS ARE IN INCHES.
2. GENERAL TOLERANCES MAX.±0.20mm.



P.C.B. LAYOUT



CIRCUIT DIAGRAM



TSW66-DQxxx-xxx-LF

- 100:100g
- 160:160g
- 260:260g
- 320:320g
- 520:520g

LEADFREE

TSW66-DQ130-xxx	13.0 [0.512]
TSW66-DQ095-xxx	9.5 [0.374]
TSW66-DQ070-xxx	7.0 [0.275]
TSW66-DQ050-xxx	5.0 [0.197]
TSW66-DQ043-xxx	4.3 [0.169]
PROD. NO.	H

TSW66-DQ050~130-xxx	0.6 MAX	.0236 MAX
TSW66-DQ043-xxx	0.5 MAX	.0197 MAX
PROD. NO.	I	INCHES.

**MORETHANALL**  
CONNECTORS  
ASSEMBLIES

煜倫股份有限公司

PART NO. TSW66-DQxxx-xxx

DWG NO. TSW66-DQxxx-xxx

FILE NO.

UNIT / mm

SCALE 1:1

RoHS Compliant

CHECKED BY CY

DRAWING BY

PROJECTION

TOLERANCES ARE

- .X ± 0.2
- .XX ± 0.1
- .XXX ±
- AWG

DESCRIPTION:

TACTILE SWITCH 6X6  
(MECHANICAL CONTACT TYPE)

AREA

REVISIONS

HK

DATE