

1 2 3 4 5 6 7 8 9 0

J

I

H

G

F

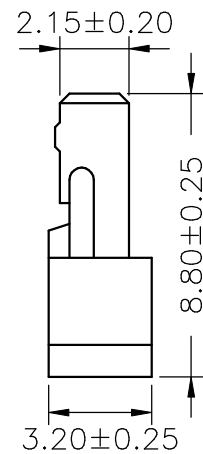
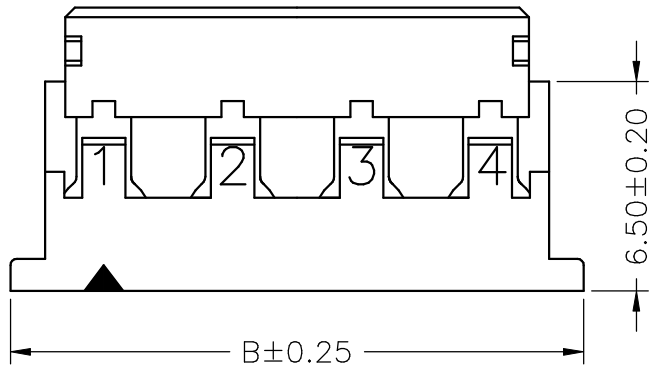
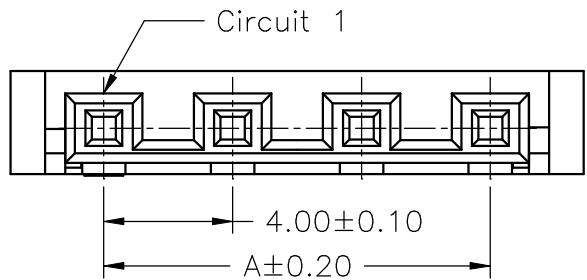
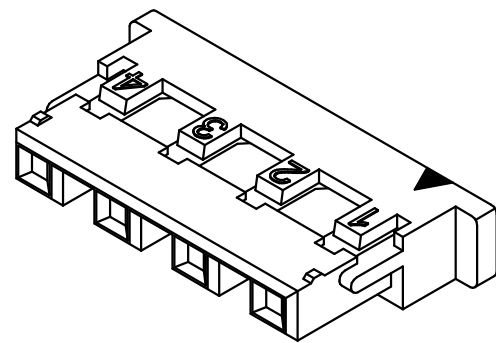
E

D

C

B

A



SPECIFICATIONS

Current Rating: 1A AC,DC
 Voltage Rating: 600V AC,DC
 Temperature Range: -25°C ~ +85°C
 Contact Resistance: 10mΩ Max
 Insulation Resistance: 1000MΩ Min
 Withstanding Voltage: 1800V AC/minute
 Material: Nylon66,UL94V-0
 Color: Natural(White)

Ordering Information & Dimensions

PART NO.	Dimensions	
	A	B
BH-H-02	4.00	9.80
BH-H-03	8.00	13.80
BH-H-04	12.00	17.80
BH-H-05	16.00	21.80

BH-H-xx-LF
 LEADFREE
 RoHS Compliant



PART NO. **BH-H-xx**

DWG NO. **BH-H-xx**

FILE NO.

UNIT / mm

SCALE 1:1

CHECKED BY CY

DRAWING BY

PROJECTION

TOLERANCES ARE
 .X ± 0.2
 .XX ±
 .XXX ±
 AWG

DESCRIP TION:
 AREA

4.00mm PITCH HOUSING
 REVISIONS
 HK
 DATE

焯倫股份有限公司