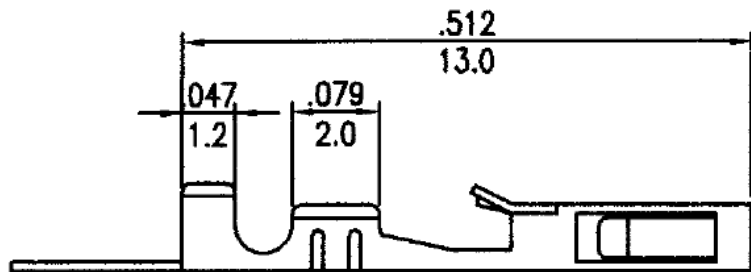
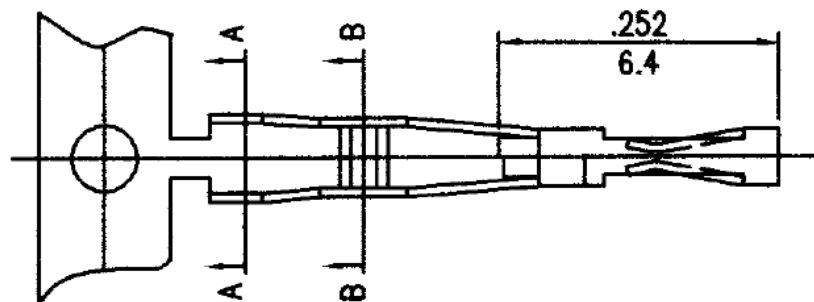
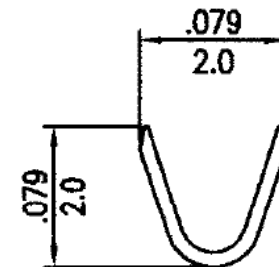


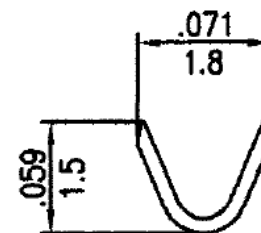
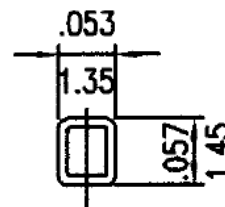
- * Material: Phos bronze
- * Finished: Tin-plated 60u"
- * Wire range: AWG#24~#28
- * Insulation O.D: 1.60mm(max)
- * Thickness: 0.2mm
- * Q'TY: 15,000pcs/reel



inches
mm



A-A SECTION



B-B SECTION

RoHS Compliant

TOLERANCES ARE

MORETHANALL
PCB CONNECTORS
Cable ASSEMBLIES

煜倫股份有限公司

www.morethanall.com

DRAWING BY CY

CHECKED BY GENIUS

UNIT / mm

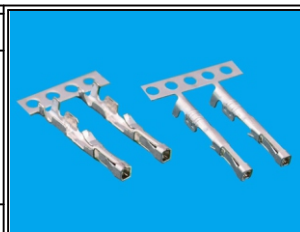
SCALE 1:1

DATE

SIZE A4

PPOJECTION

X.±
.X±
.XX±
.XXX±
ANG±



ORDER INFORMATION

MCT-T-24-LF
SERIES | LEADFREE
24~28 AWG
TERMINAL

DESCRIPTION: