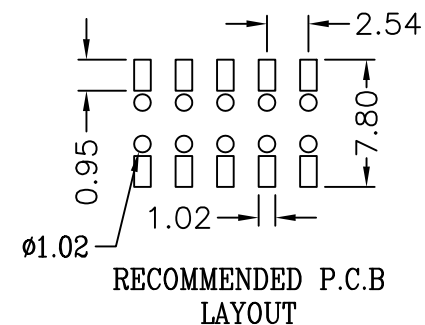
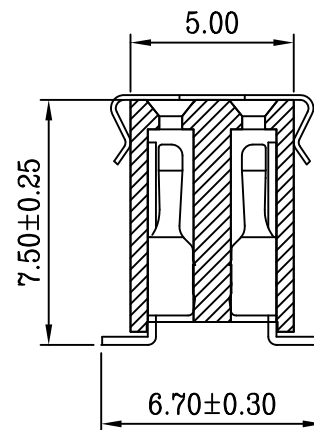
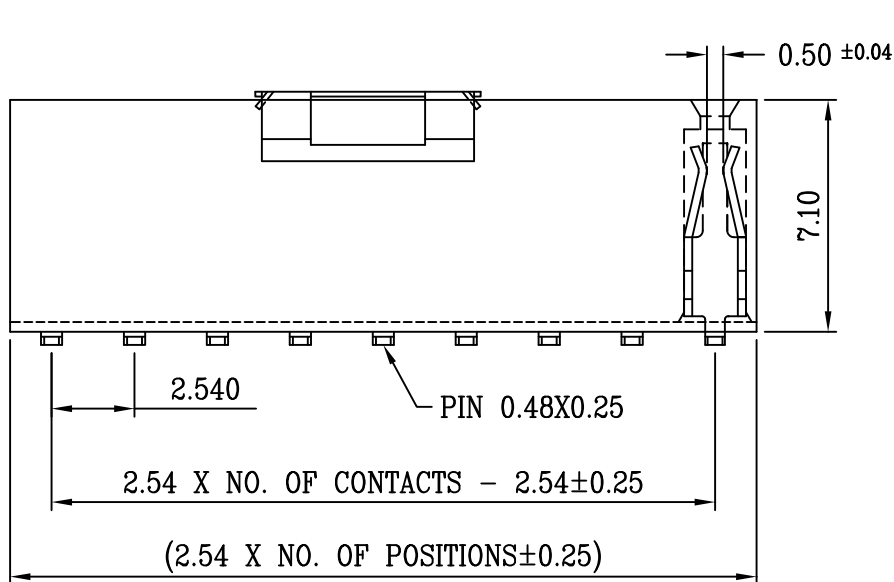


SPECIFICATIONS

CURRENT RATING: 3 AMP
 INSULATION RESISTANCE: 1000M OHMS MIN.
 DIELECTRIC WITHSTANDING: 600V AC/DC
 CONTACT RESISTANCE: 20m OHMS MAX.
 OPERATING TEMPERATURE: -40°C ~ +105°C

MATERIALS

CONTACT MATERIAL: PHOSPHOR BRONZE
 INSULATION MATERIAL: POLYESTER, UL 94V-0
 NYLON 6T



RoHS Compliant

TOLERANCES ARE

MORETHANALL
 PCB CONNECTORS
 Cable ASSEMBLIES

煜倫股份有限公司

www.morethanall.com

DRAWING BY CY

CHECKED BY GENIUS

UNIT / mm

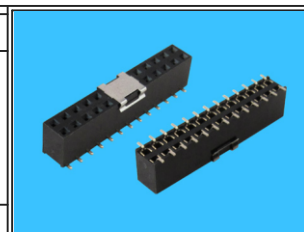
SCALE 1 : 1

DATE

SIZE A4

P PROJECTION

X, ±
 .X ±
 .XX ±
 .XXX ±
 ANG ±



ORDER INFORMATION

F-Z75XC-2Xxx-LF
 SERIES | 2X02:04WAY LEADFREE
 | 2X40:80WAY
 | CAP
 | NON POST
 | HIGH 7.5mm
 BOTTOM ENTRY SMT

DESCRIPTION: 2.54mm Female Socket Dual Row SMD type (H=7.5)