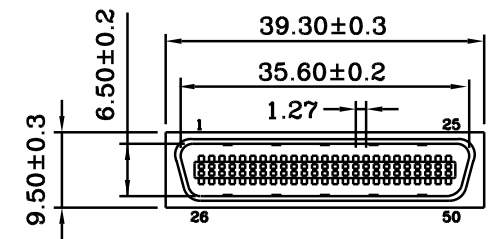
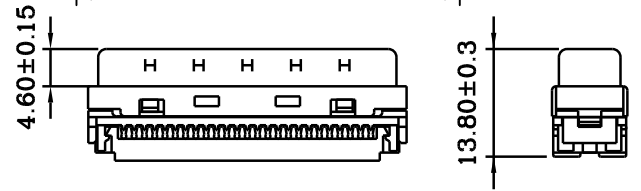
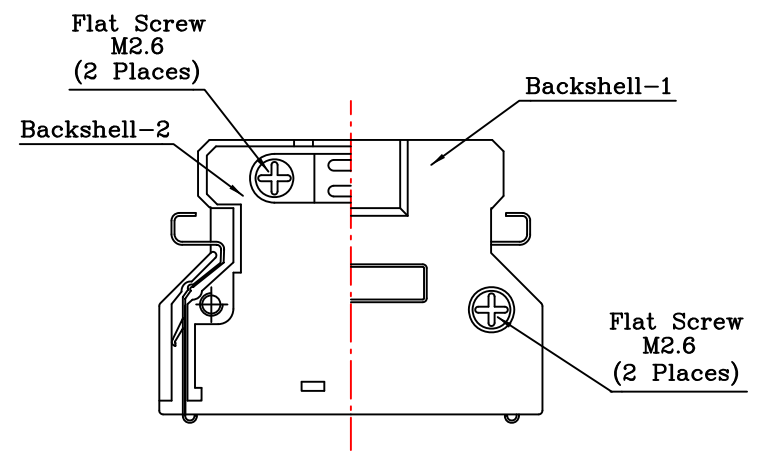
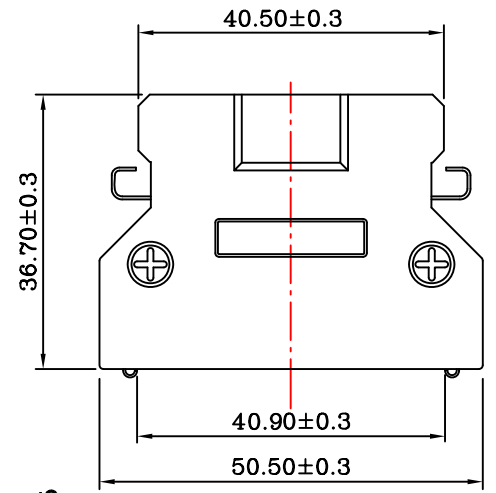


- FEATURES:**
- Round cable straight exit
 - Strain relief staple with spring latches
 - Backshell desing by Die-Cast
 - Excellent EMI/RFI protection
- MATERIALS:(RoHS Compliant)**
- Backshell: Zinc plated nickel over copper
 - Spring latches: Phosphor Bronze over Nickel
 - Screw: steel nickel plated over copper
 - Cable Clipper: steel nickel plated

HPC-PFW-050-LF
LEADFREE
RoHS Compliant



PART NO. HPC-PFW-050

DWG NO. HPC-PFW-050

FILE NO.

UNIT / mm

SCALE 1:1

CHECKED BY CY

DRAWING BY

PROJECTION

TOLERANCES ARE

.X ± 0.2
.XX ± 0.1
.XXX ±
AWG

DESCRIP TION:				
AREA	REVISIONS	HK	DATE	

煜倫股份有限公司