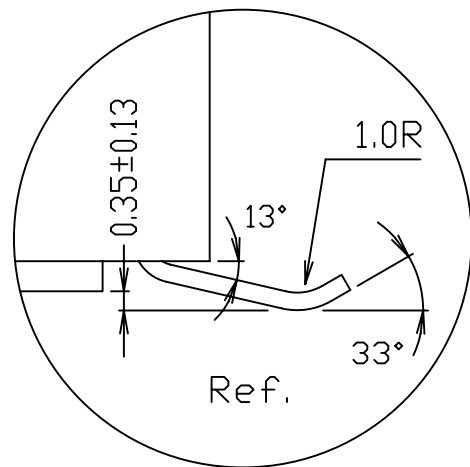
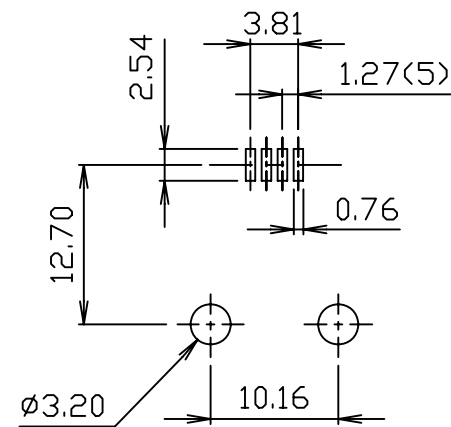
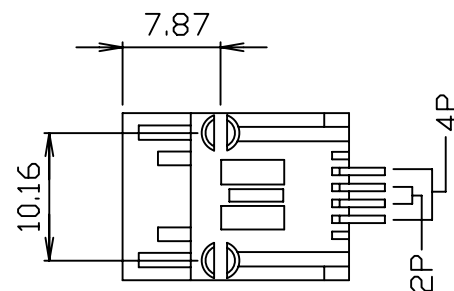


MATERIAL: HOUSING-PBT POLYESTER UL-94V-0
 MIXED GLASS FIBER.
 STANDARD COLOR-BLACK
 CONTACTS-0.35mm THICK PHOS-BRONZE
 PLATED WITH HARD GOLD AND
 TIN/LEAD IN SOLDER AREA.
 CAVITY CONFIRMS TO FCC RULES AND REGULATIONS
 PART 68,SUBPART F.



DETAIL X



PC Board Layout

MORETHANALL
 CONNECTORS
 ASSEMBLIES

PART NO. MJW12J-KX06P-0604

DWG NO. MJW12J-KX06P-0604

FILE NO.

CHECKED BY CY

DRAWING BY

TOLERANCES ARE

.X ± 0.25
 .XX ± 0.13
 .XXX ± 0.05
 AWG

DESCRIPTION:

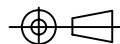
6POSITION SMT TYPE
 LOW PROFILE, SIDE ENTRY PCB JACK

煜倫股份有限公司

UNIT / mm

SCALE 1:1

PROJECTION



AREA

REVISIONS

HK

DATE