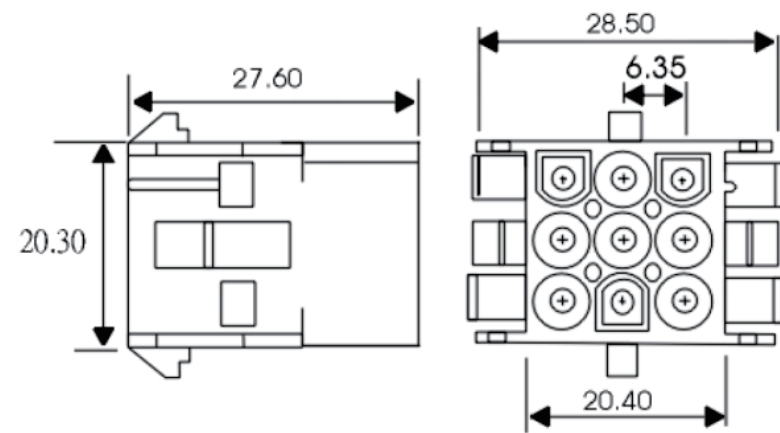
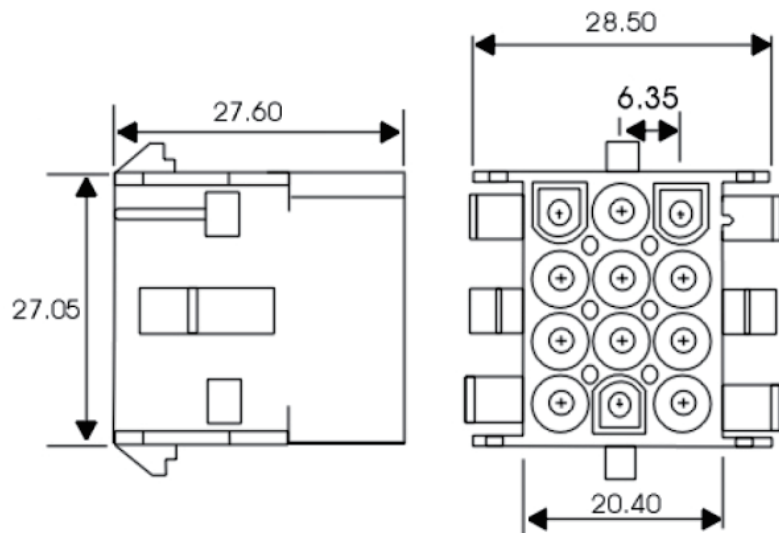


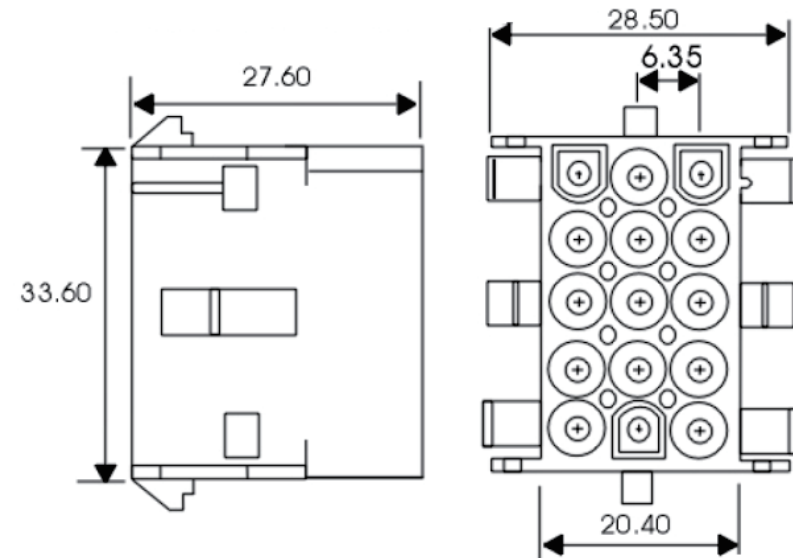
UL-P-3X02



UL-P-3X03



UL-P-3X04



UL-P-3X05

RoHS Compliant

TOLERANCES ARE

MORETHANALL
PCB CONNECTORS
Cable ASSEMBLIES

DRAWING BY CY

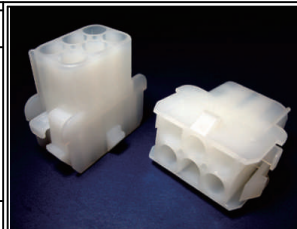
CHECKED BY GENIUS

UNIT / mm SCALE 1 : 1

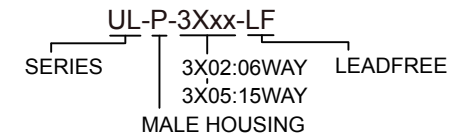
DATE

SIZE A4 PPROJECTION

X. ±
.X ±
.XX ±
.XXX ±
ANG ±



ORDER INFORMATION



煜倫股份有限公司

www.morethanall.com

DESCRIPTION: