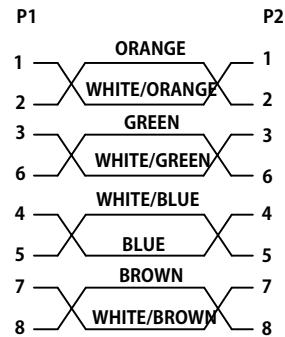
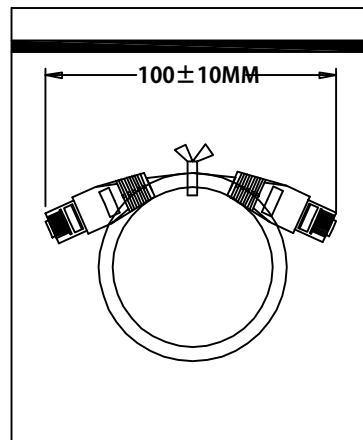


**PIN OUT**



PAKING: 單PCS圓形理線.



PART LIST: 本产品均符合"ROHS"环保标准·用的材料均为相当品。

NO.	SPECIFICATION STANDARD	QT'Y
①	RJ45 8P8C CRYSTAL HEAD GOLD-PLATED F U"	2
②	45P PVC MOLDING,COLOR : BLUE.	Kg/g
③	CAT. 5E UTP 2835 24AWG (7/0.20CCS)*4P OD:5.5MM PVC JACKET, COLOR:BLUE E216040 SU AWM 2835 24AWG 60° C.	1

RoHS Compliant

TOLERANCES ARE

**MORETHANALL**  
PCB CONNECTORS  
Cable ASSEMBLIES

DRAWING BY CY

CHECKED BY GENIUS

UNIT / mm SCALE 1 : 1

DATE

SIZE A4

X. ±  
.X ±  
.XX ±  
.XXX ±  
ANG ±

PPOJECTION



ORDER INFORMATION

RJX2-080824C5EBL-M30C-LF  
SERIES | | | | LEADFREE  
| | | | 300mm  
| | | | MALE TO MALE  
| | | | BLUE  
08 TO 08 WAY | | CAT.5E  
| | 24 AWG

DESCRIPTION: CAT. 5E UTP 雙頭加護套 CABLE BLUE L=300MM

煜倫股份有限公司

www.morethanall.com