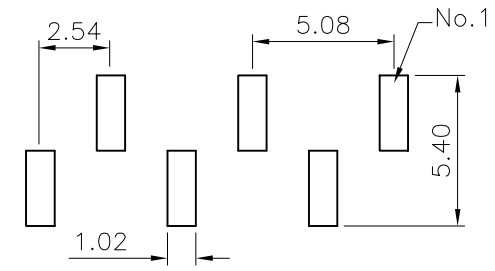
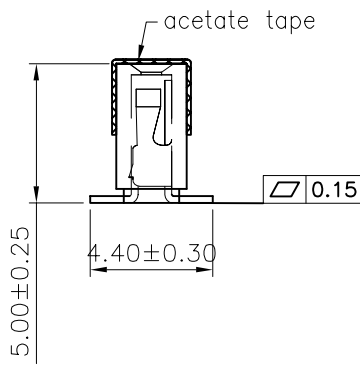
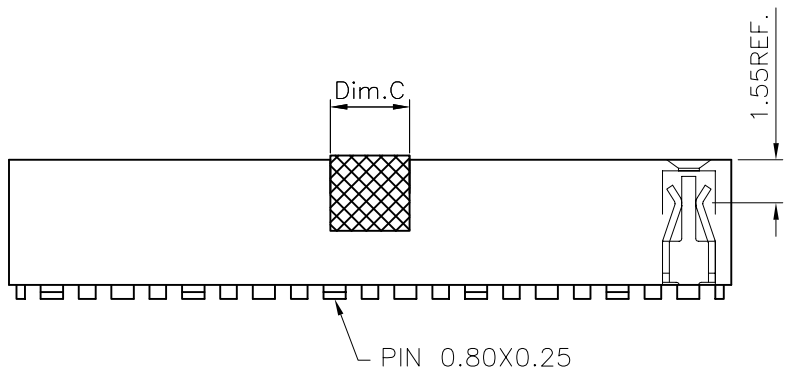
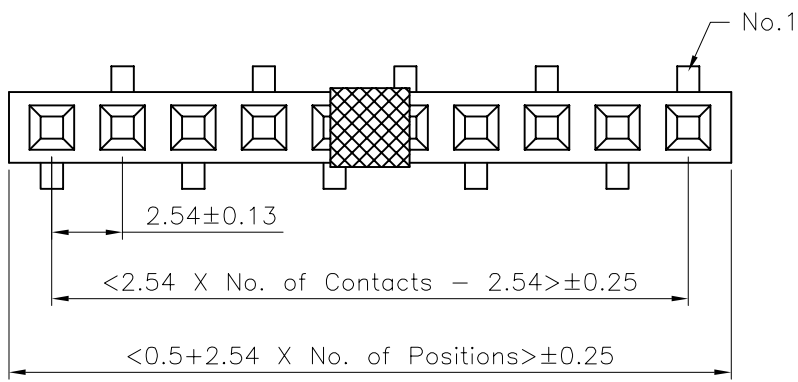


Specifications  
 Current Rating: 3Amp  
 Insulation Resistance: 1000MΩ Min.  
 Dielectric Withstanding: 600V AC  
 Contact Resistance: 20mΩ Max.  
 Operating Temperature: -40°C to +105°C  
 Materials  
 Contact Material: Phosphor Bronze  
 Insulation Material: Polyester, UL 94V-0  
 Nylon 6T  
 All materials must be GP materials

Recommended P.C.Board  
 Bottom Entry Layout  
 (Tolerance: ±0.05)

Recommended P.C.Board  
 Top Entry Layout  
 (Tolerance: ±0.05)



F-V50XC-1XxxL-LF  
 LEADFREE

RoHS Compliant

| Notes     | Dim.C  |
|-----------|--------|
| 03~25PINS | 5.10mm |
| 26~40PINS | 10mm   |



PART NO. F-V50XC-1XxxL

DWG NO. F-V50XC-1XxxL

CHECKED BY CY

TOLERANCES ARE

DESCRIP TION: 2.54 FEMALE HEADER DUAL ROWS SMT TYPE  
 BASE 5.00H

FILE NO.

DRAWING BY

.X ± 0.2  
 .XX ± 0.1  
 .XXX ±  
 AWG

| AREA | REVISIONS | HK | DATE |
|------|-----------|----|------|
|      |           |    |      |

煜倫股份有限公司

UNIT / mm

SCALE 1:1

PROJECTION