

NOTES:

1. MATERIAL:

1.1 HOUSING: LCP WITH 30% G.F. UL 94V-0

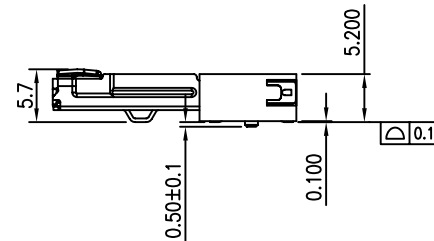
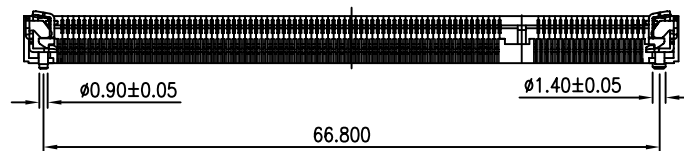
1.2 CONTACT: BRASS

1.3 LATCH: STAINLESS

2. FINISH:

2.1 CONTACT: GOLD PLATED ON CONTACT & SOLDERING END OVER 50u" MIN. NICKEL UNDER-PLATING.

2.2 LATCH: 60~100u" SN ONLY (MATTE) PLATING OVER 50u" MIN. NICKEL UNDERPLATING



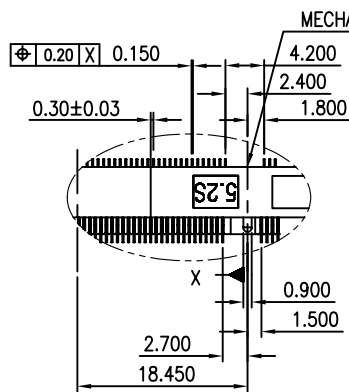
SDM6-W52Vxx-40A6-LF

18:1.8V

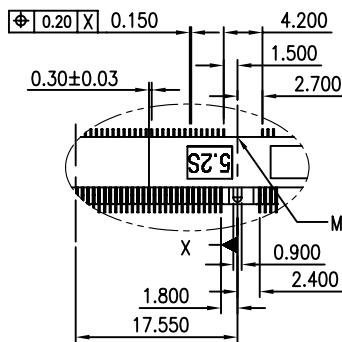
25:2.5V

LEADFREE

RoHS Compliant



POWER SUPPLY 2.5V



POWER SUPPLY 1.8V

	C±0.17	D±0.17
1.8V	17.37	52.47
2.5V	16.47	53.37

DETAIL A VOLTAGE OPTION

MORETHANALL
CONNECTORS
ASSEMBLIES

PART NO. SDM6-W52Vxx-40A6

DWG NO. SDM6-W52Vxx-40A6

FILE NO.

CHECKED BY CY

DRAWING BY

TOLERANCES ARE

.X ± 0.2

.XX ±

.XXX ±

AWG

DESCRIPTION:

DDR S.O.DIMM SOCKET 0.6MM PITCH,
200 PIN, 5.2 MM HEIGHT,
STANDARD B-TYPE (RoHS)

煜倫股份有限公司

UNIT / mm

SCALE 1:1

PROJECTION

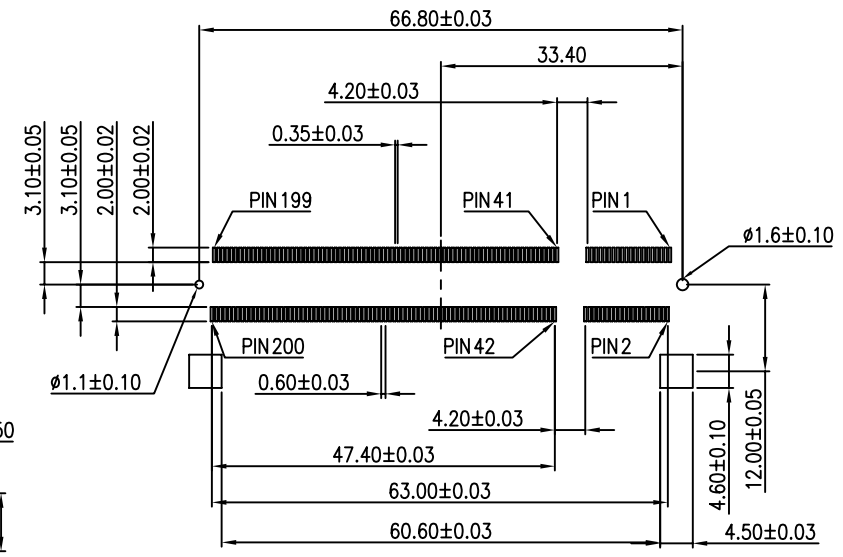
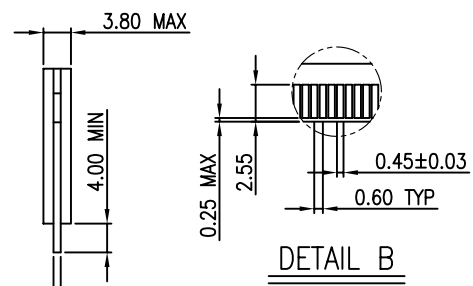
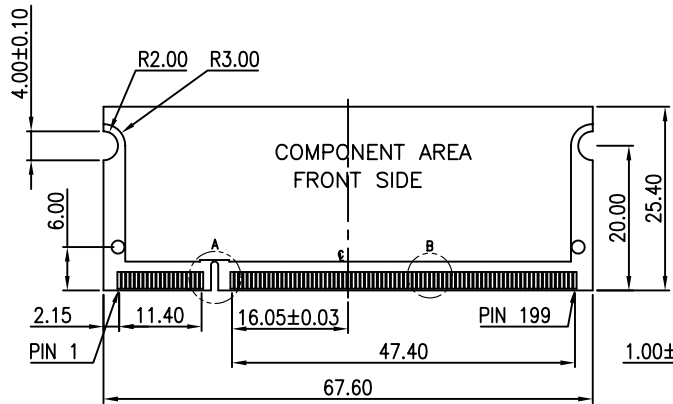


AREA

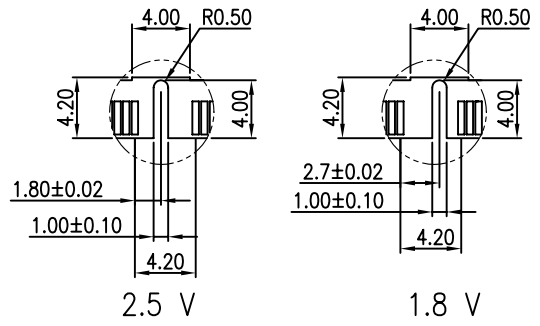
REVISIONS

HK

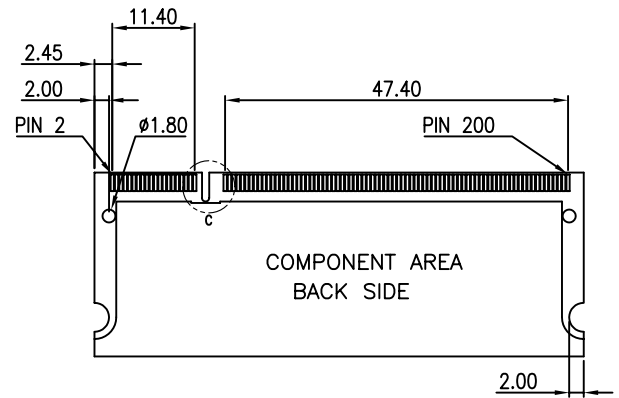
DATE



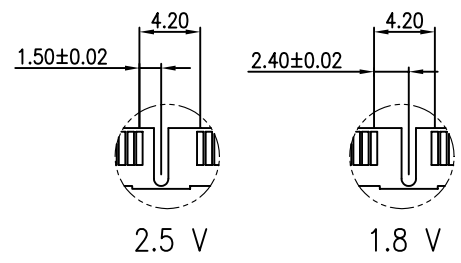
RECOMMENDED P.C.BOARD LAYOUT.



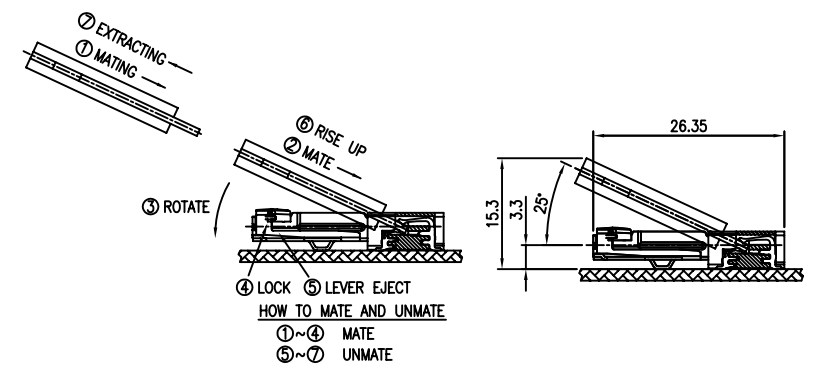
DETAIL A



RECOMMENDED MODULE CONFIGURATION.

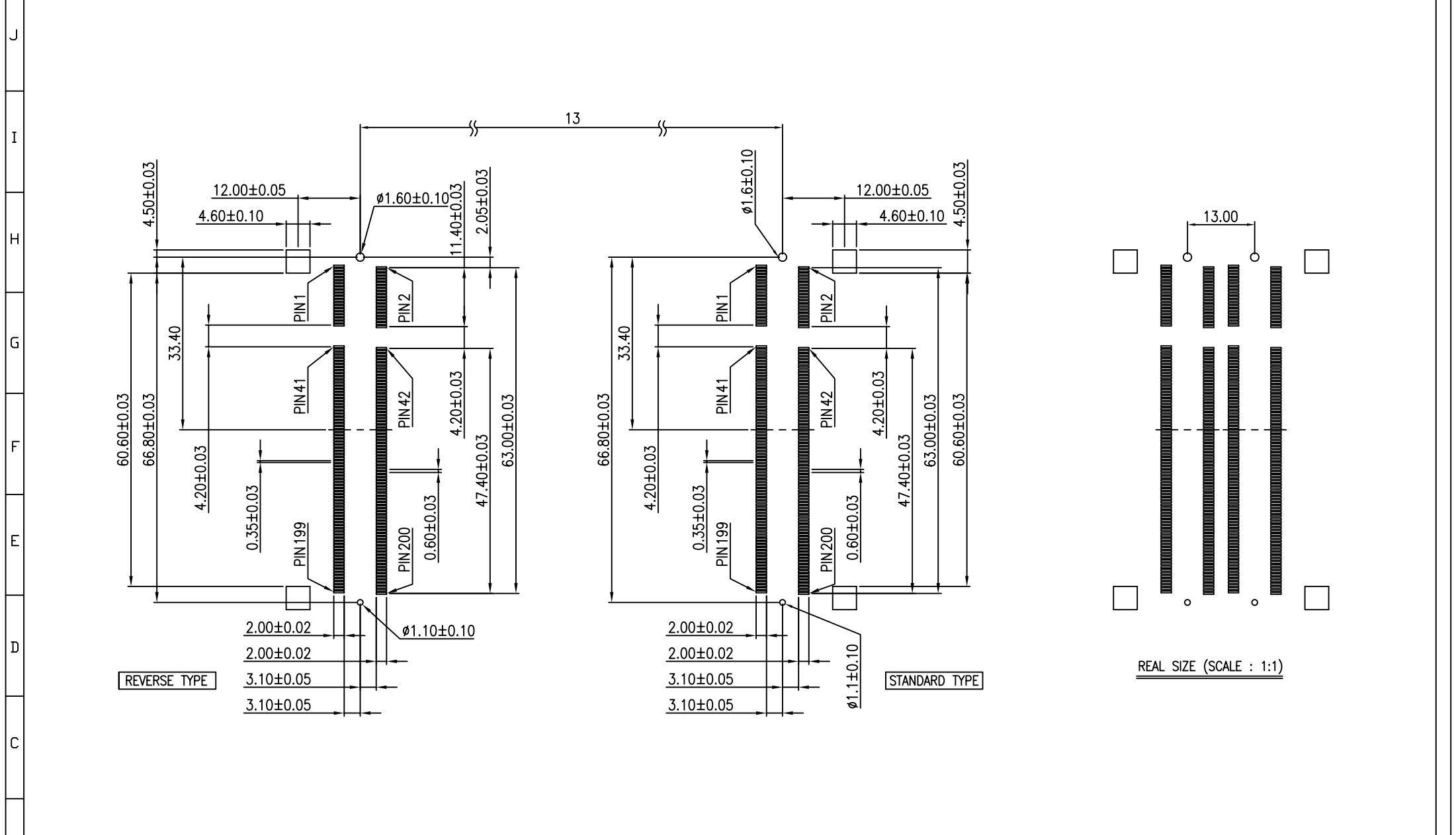


DETAIL C



HOW TO MATE AND UNMATE
①~④ MATE
⑤~⑦ UNMATE

	PART NO. SDM6-W52Vxx-40A6		TOLERANCES ARE .X ± 0.2 .XX ± .XXX ± AWG	DESCRIPTION:				
	DWG NO. SDM6-W52Vxx-40A6							CHECKED BY CY
焯倫股份有限公司	FILE NO.		DRAWING BY		AREA	REVISIONS	HK	DATE
	UNIT / mm	SCALE 1:1	PROJECTION					



REAL SIZE (SCALE : 1:1)

MORETHANALL
CONNECTORS
ASSEMBLIES

煜倫股份有限公司

PART NO. SDM6-W52Vxx-40A6

DWG NO. SDM6-W52Vxx-40A6

FILE NO.

UNIT / mm

SCALE 1:1

CHECKED BY CY

DRAWING BY

PROJECTION

TOLERANCES ARE
.X ± 0.2
.XX ±
.XXX ±
AWG

DESCRIP TION:			
AREA	REVISIONS	HK	DATE