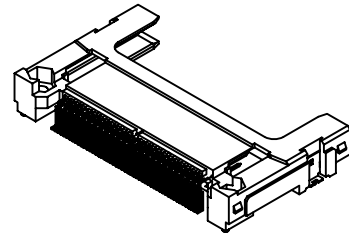
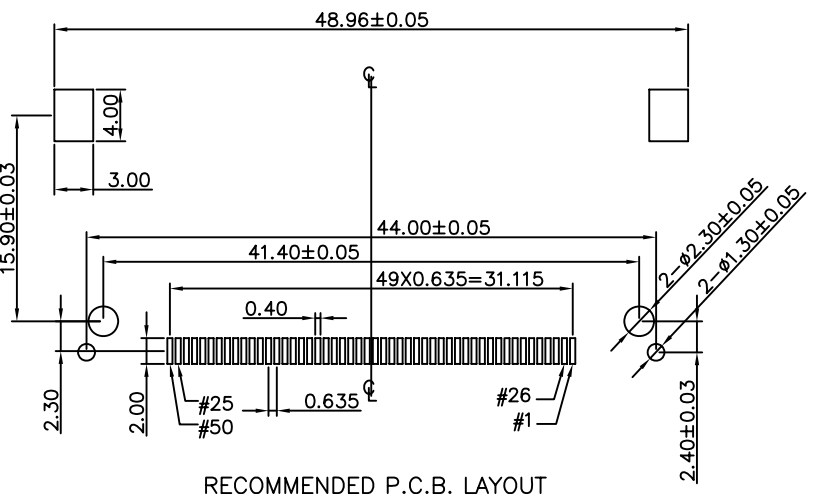


NOTES
 MATERIAL
 Insulator: Glass Reinforced LCP UL94V-0
 Contacts: Brass
 Mount ear: Brass; Tin/Lead plated overall
 CONTACT PLATING
 Contact area: Gold flash plating over 40u" Nickel
 Solder tail area: 100u" Tin/Lead plating over 40u" Nickel



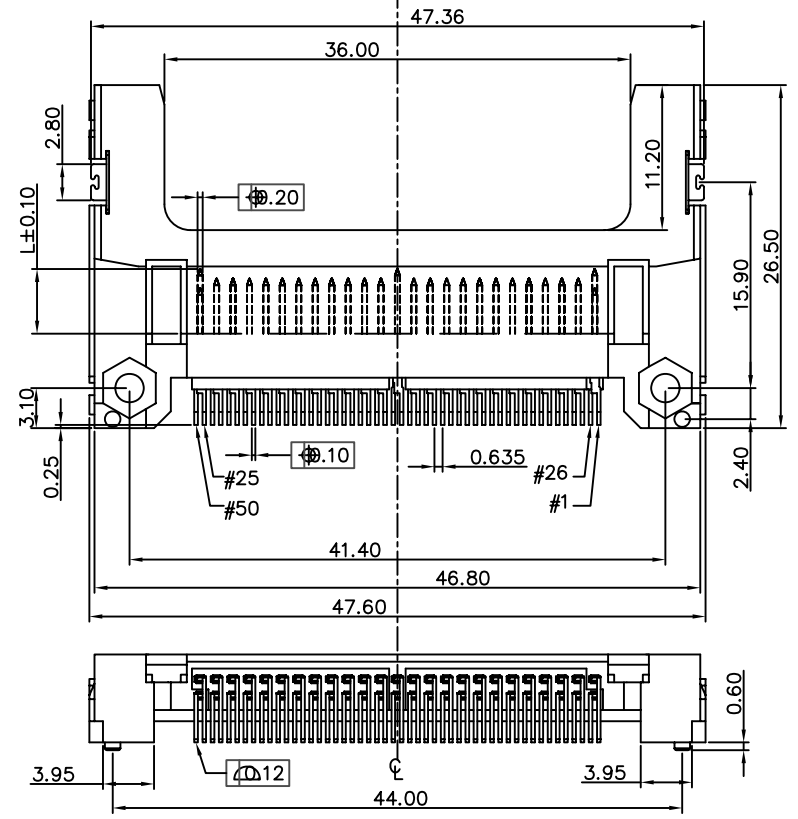
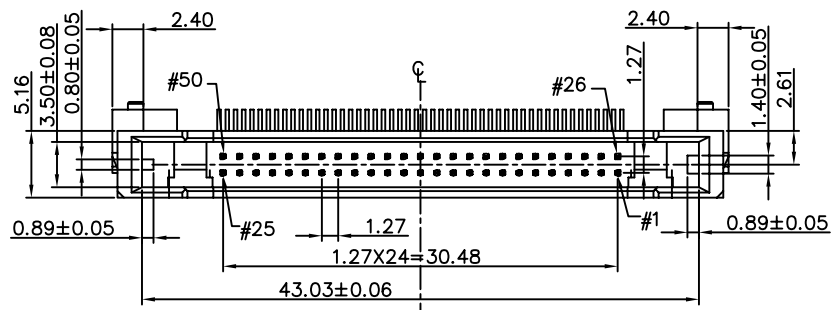
CFC-PW44BE111-50-LF
 LEADFREE

RoHS Compliant



RECOMMENDED P.C.B. LAYOUT

POWER	5.00mm	1,13,38,50
GENERAL	4.25mm	all other pins
DETECT	3.50mm	25,26
Pin type	Interface Dim. L	Pin No.



MORETHANALL
 CONNECTORS
 ASSEMBLIES

PART NO. CFC-PW44BE111-50

DWG NO. CFC-PW44BE111-50

APPROVED BY CY

TOLERANCES ARE

DESCRIP TION: CFA TYPE 1 (STAND OFF 1.64mm)
 SLOT HEADER(STANDARD)

FILE NO.

DRAWING BY

X. ± 0.3
 XX. ± 0.2
 XXX.
 AWG

UNIT / mm

SCALE 1:1

PROJECTION

AREA	REVISIONS	HK	DATE
------	-----------	----	------

煜倫股份有限公司