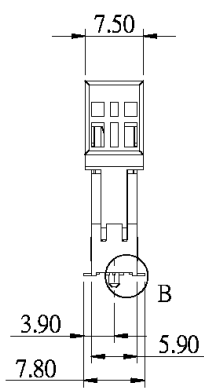


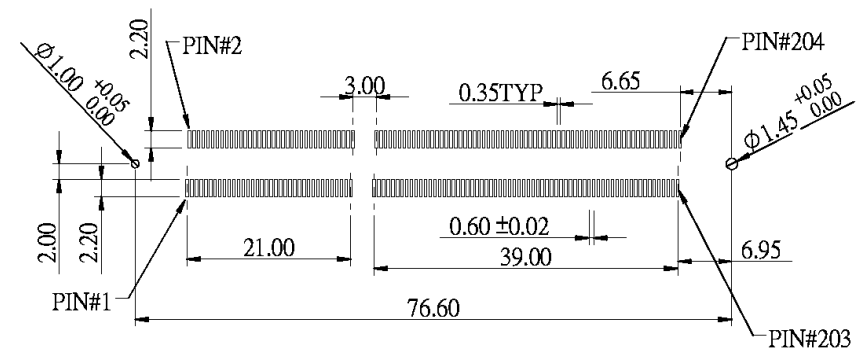
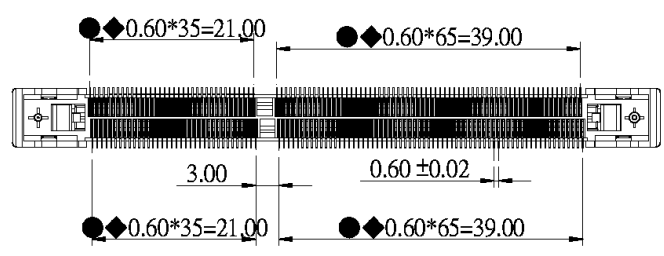
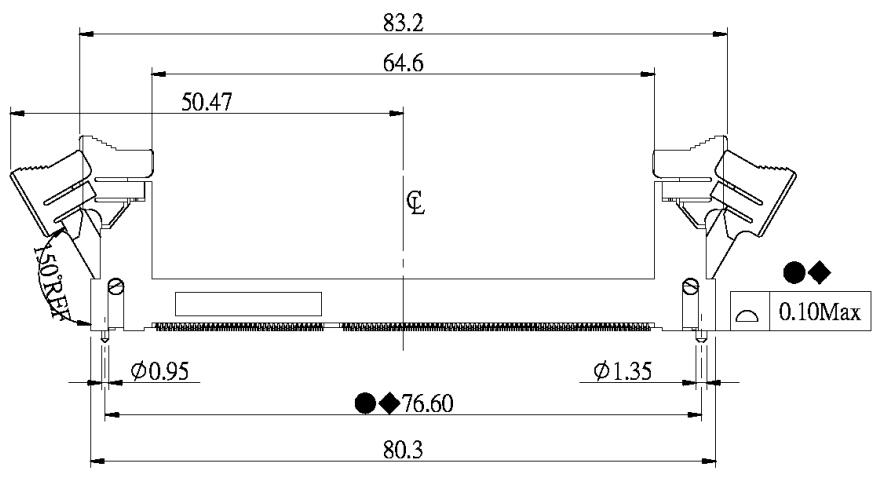
A (2.4 : 1)



B (6 : 1)

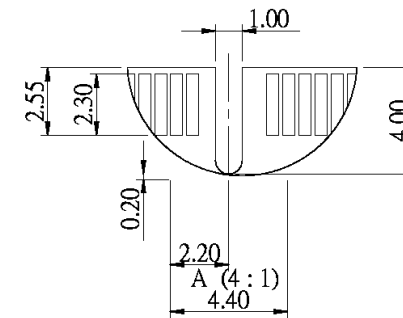
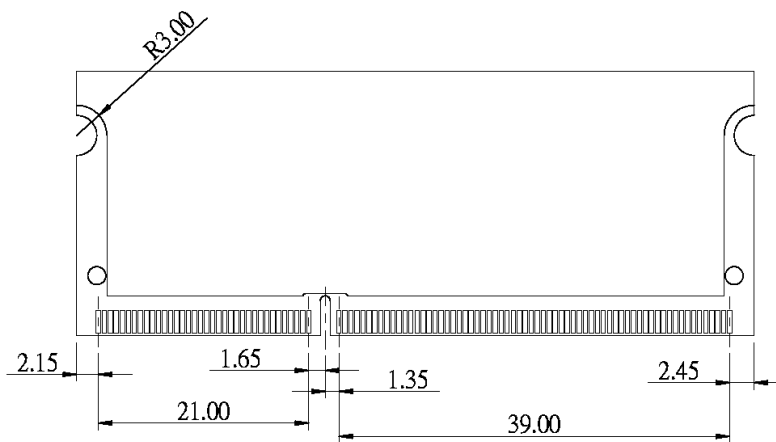
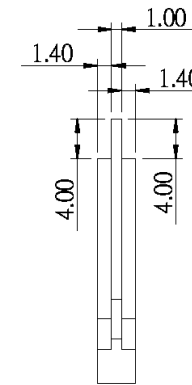
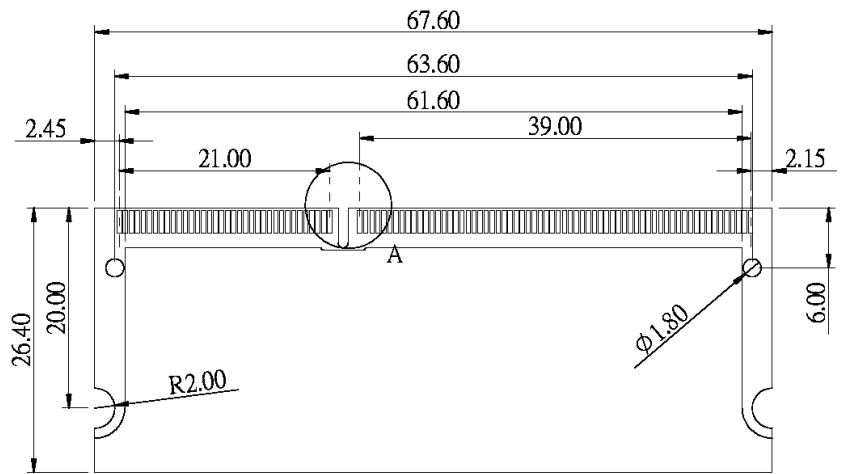
NOTE:  
1. INSPECTION SYMBOL:  
● : MANUFACTURER INSPECTION  
◆ : Q.C INSPECTION

SDM6-V59V15-72A3-LF  
LEADFREE  
RoHS Compliant



PCB LAYOUT

	PART NO. SDM6-V59V15-72A3		TOLERANCES ARE .X ± 0.2 .XX ± .XXX ± AWG	DESCRIP TION:				
	DWG NO. SDM6-V59V15-72A3							CHECKED BY CY
焯倫股份有限公司	FILE NO.		DRAWING BY		AREA	REVISIONS	HK	DATE
	UNIT / mm	SCALE 1:1	PROJECTION					



**MORETHANALL**  
CONNECTORS  
ASSEMBLIES

煜倫股份有限公司

PART NO. SDM6-V59V15-72A3

DWG NO. SDM6-V59V15-72A3

FILE NO.

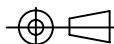
UNIT / mm

SCALE 1:1

CHECKED BY CY

DRAWING BY

PROJECTION



TOLERANCES ARE

.X ± 0.2

.XX ±

.XXX ±

AWG

DESCRIPTION:

AREA

REVISIONS

HK

DATE