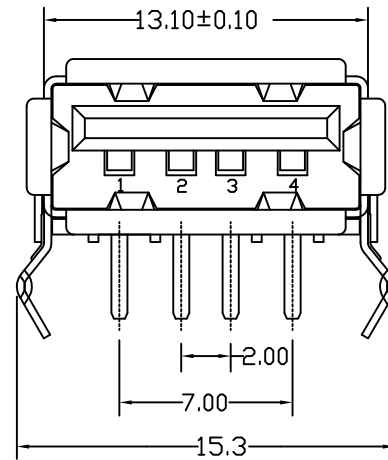
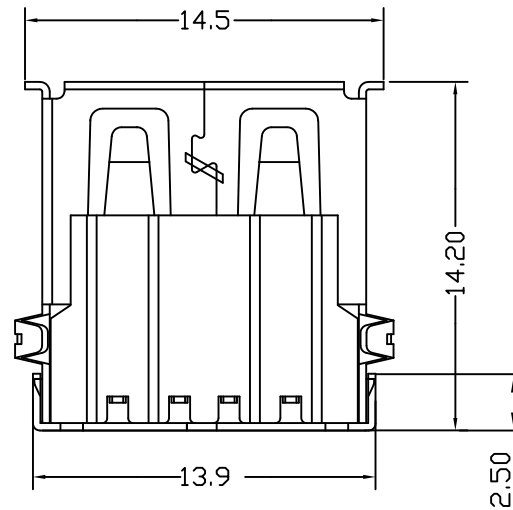
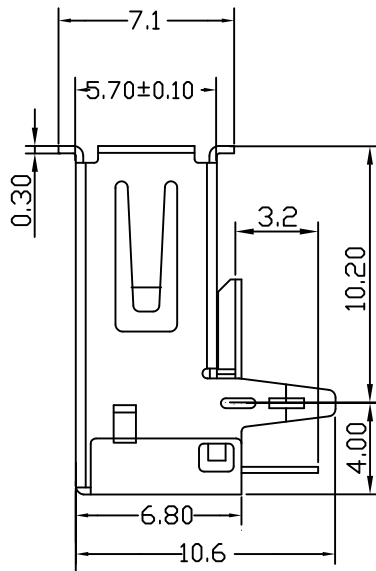


RECOMMENDED P.C.B. PATTERN LAYOUT



Material:

- A. Insulator : PBT.G.F. UL94-V0
- B. Contact : Brass.
- C. Shell : Brass.
- D. Finish :
 Contact = Gold plated on contact area &
 Tin plated on terminal area
 Shell = Nickel plated.



RoHS Compliant

TOLERANCES ARE



煜倫股份有限公司

www.morethanall.com

DRAWING BY CY

CHECKED BY GENIUS

UNIT / mm

SCALE 1 : 1

DATE

SIZE A4

X. ± 0.45

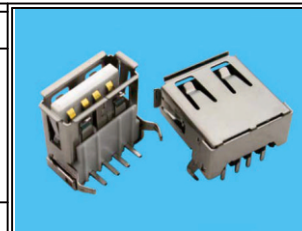
.X ± 0.30

.XX ± 0.20

.XXX ±

ANG ±

PJECTION



ORDER INFORMATION

USB-SRxx-4A-LF
 SERIES | | | LEADFREE
 | | | 4 PIN A TYPE
 | | | BK:BLACK
 FEMALE | WH:WHITE
 | | | DIP 90°

DESCRIPTION: