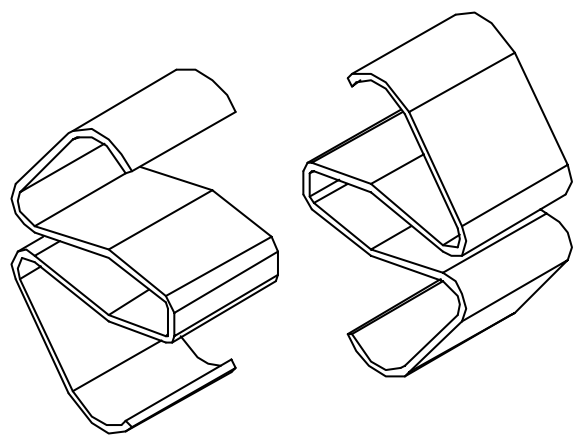
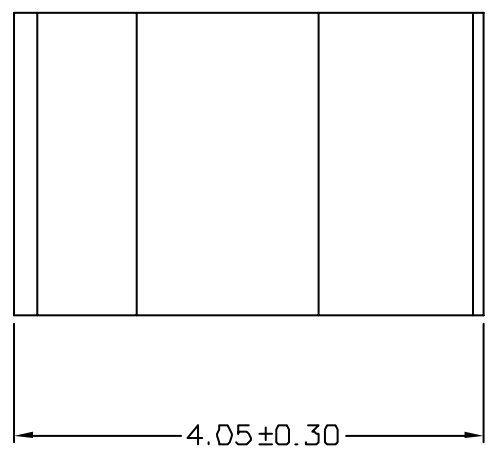
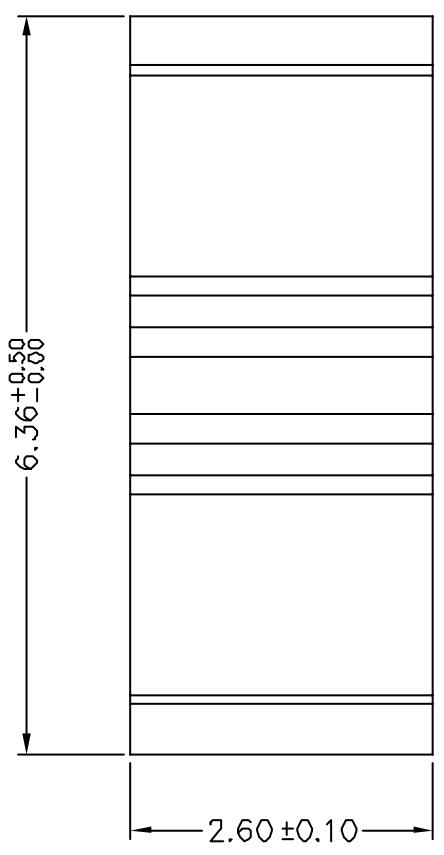
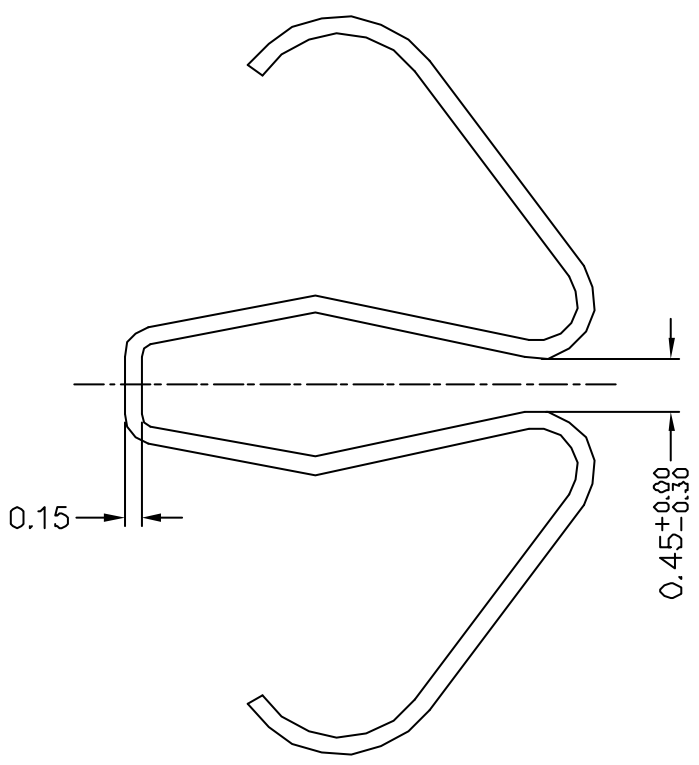
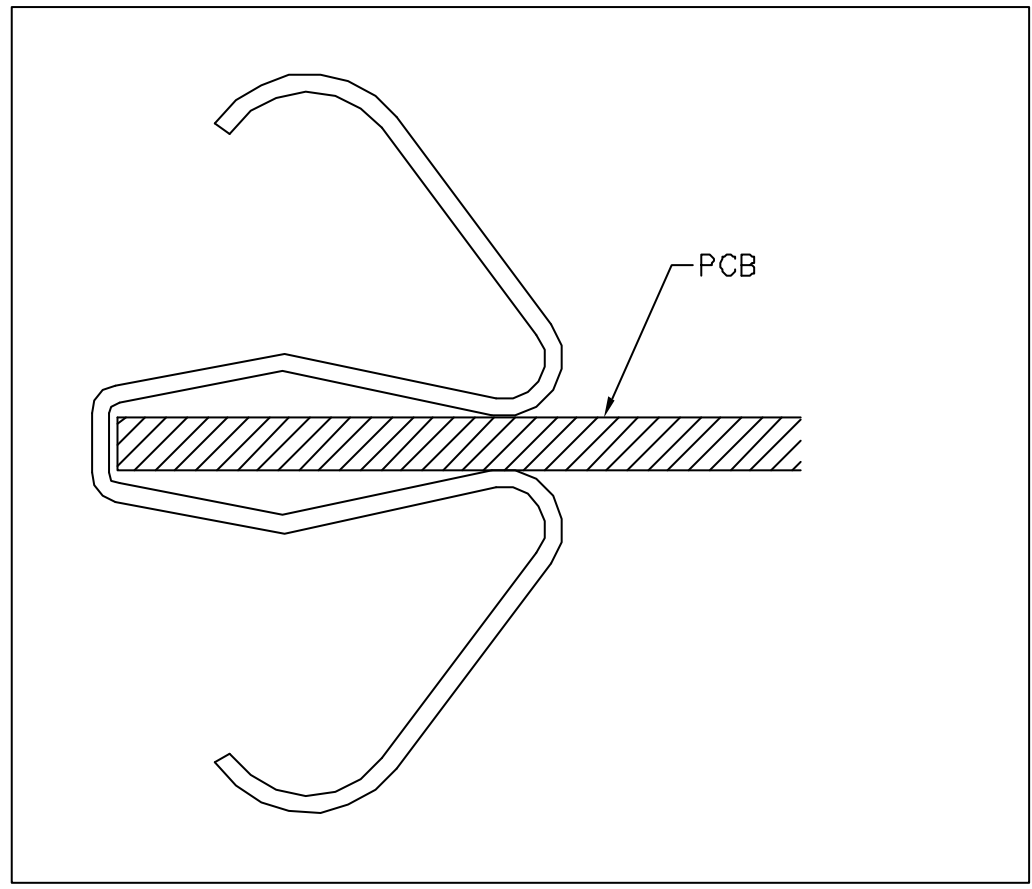


1 2 3 4 5 6 7 8 9 0

J
I
H
G
F
E
D
C
B
A



PCE-CL-26

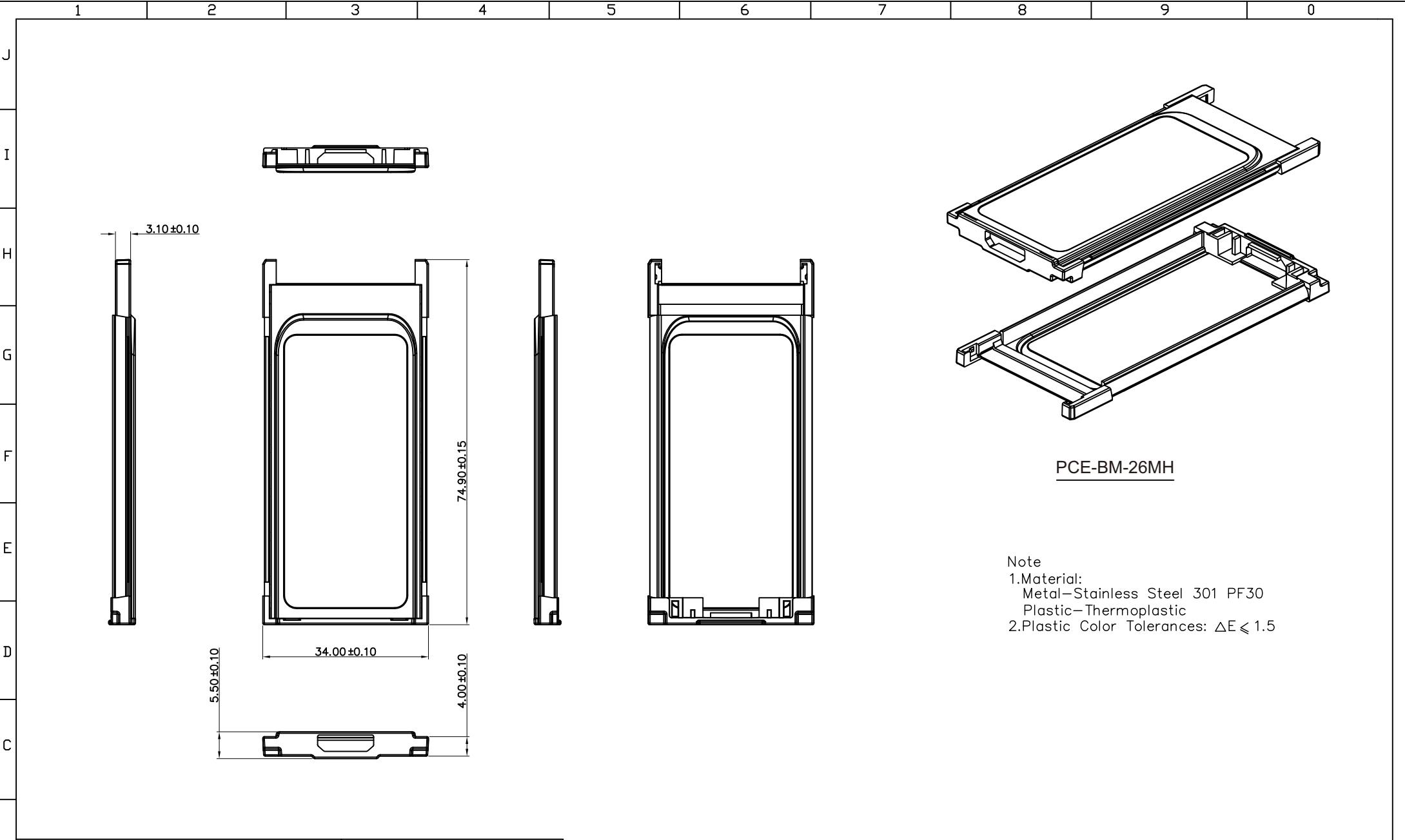


- Note
1. Material: Metal- Phosphor Bronze,
 2. Thickness 0.15 ± 0.02m/m
 3. Underplated: Nickel
Contact Area Plating: Tin(SSE008+NNM)
 4. Underplated: Nickel
Contact Area Plating: Gold(SSE008+UAM)

MORETHANALL
CONNECTORS
ASSEMBLIES

煜倫股份有限公司

PART NO. PCE-CF-26MH		CHECKED BY CY		TOLERANCES ARE .X ± .XX ± .XXX ± AWG	DESCRIP TION:			
DWG NO. PCE-CF-26MH		DRAWING BY						
FILE NO.		PROJECTION		AREA	REVISIONS	HK	DATE	
UNIT / mm	SCALE 1:1							

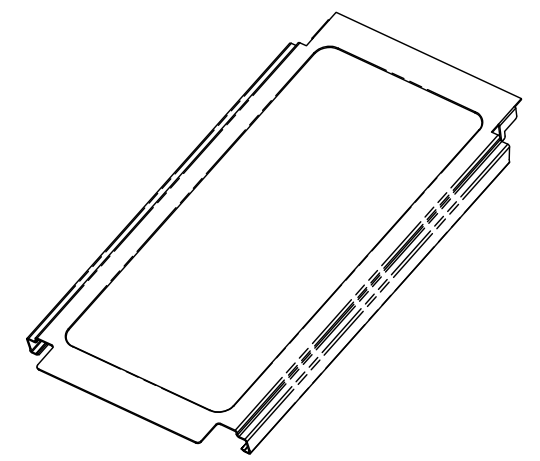
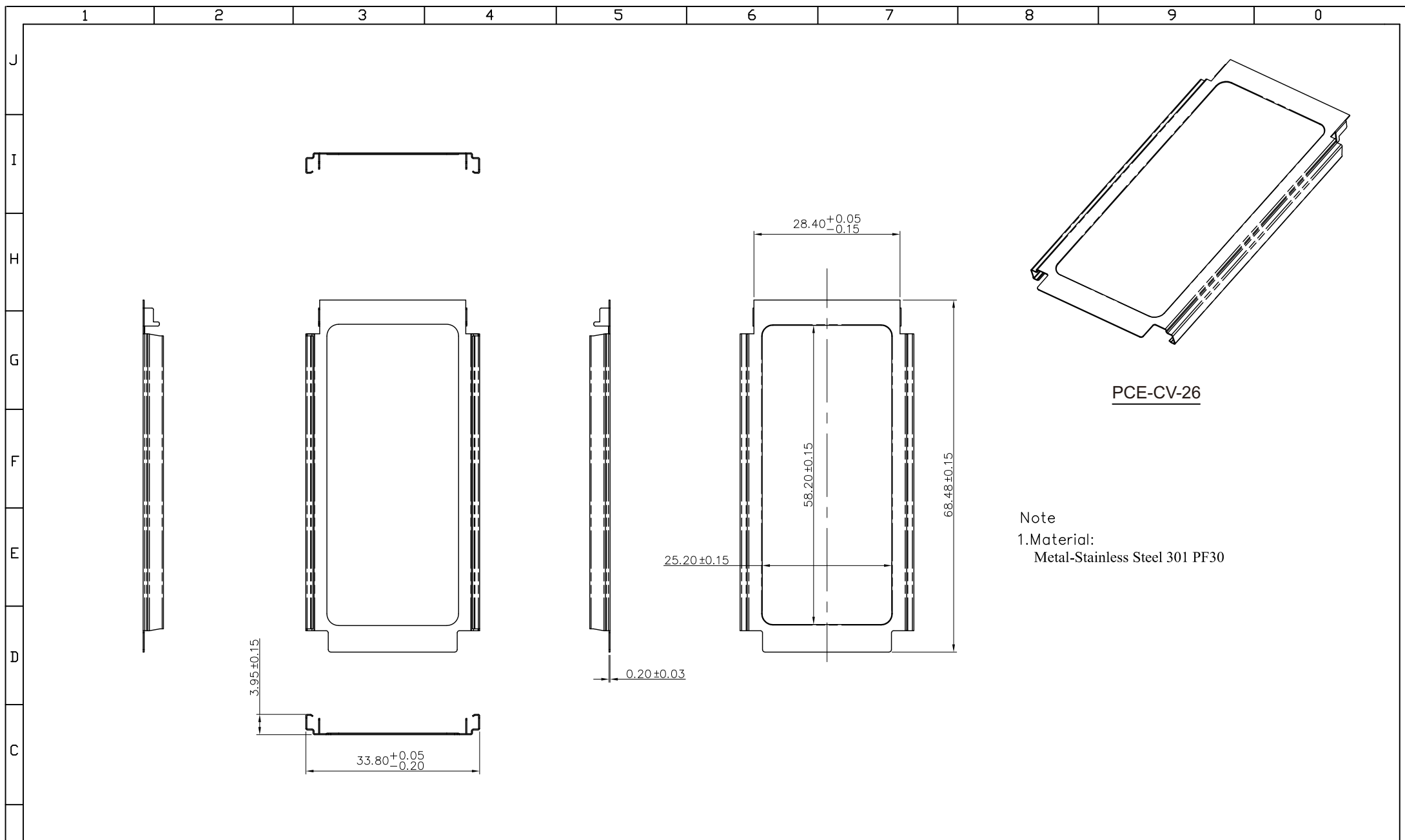


PCE-BM-26MH

Note

- 1. Material:
 - Metal—Stainless Steel 301 PF30
 - Plastic—Thermoplastic
- 2. Plastic Color Tolerances: $\Delta E \leq 1.5$

	PART NO. PCE-CF-26MH		CHECKED BY CY	TOLERANCES ARE .X ± .XX ± .XXX ± AWG	DESCRIP TION: Bottom Assembly for Express card/34			
	DWG NO. PCE-CF-26MH							
焯倫股份有限公司	FILE NO.		PROJECTION	AREA	REVISIONS	HK	DATE	
	UNIT / mm	SCALE 1:1						



PCE-CV-26

Note
 1. Material:
 Metal-Stainless Steel 301 PF30

A			PART NO. PCE-CF-26MH		TOLERANCES ARE .X ± .XX ± .XXX ± AWG	DESCRIPTION: Top Stainless Cover / 34mm			
	焯倫股份有限公司		DWG NO. PCE-CF-26MH						
B	UNIT / mm SCALE 1:1		FILE NO.		PROJECTION	AREA	REVISIONS	HK	DATE