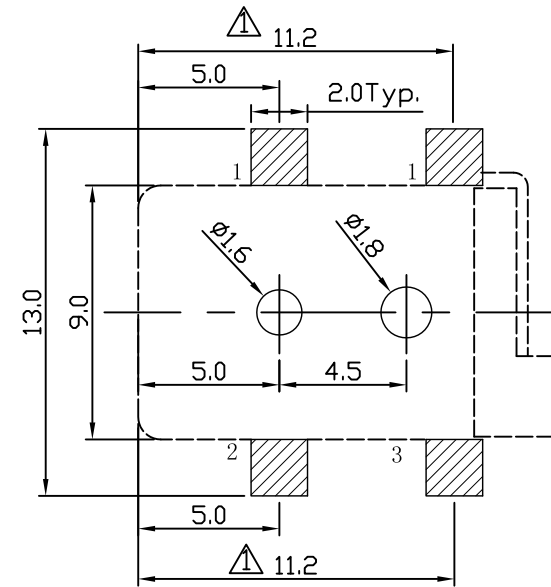
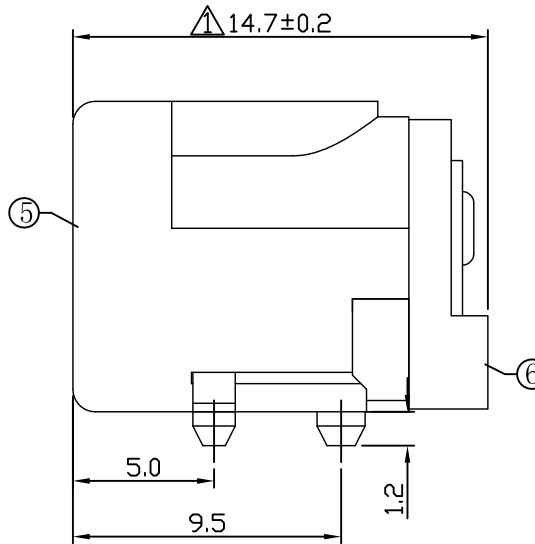
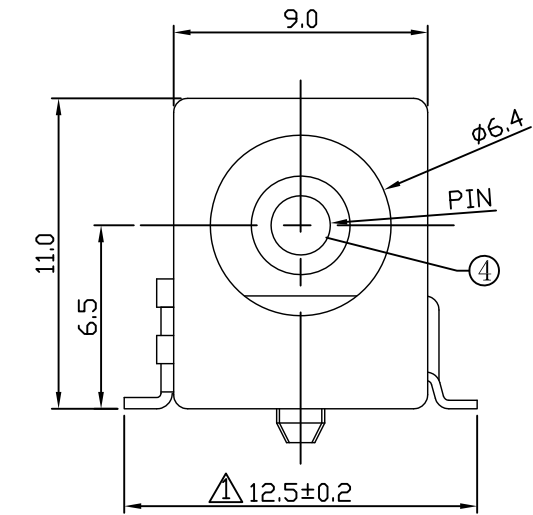
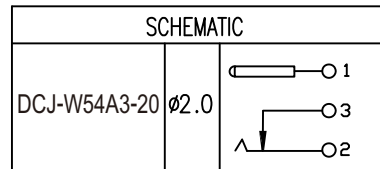
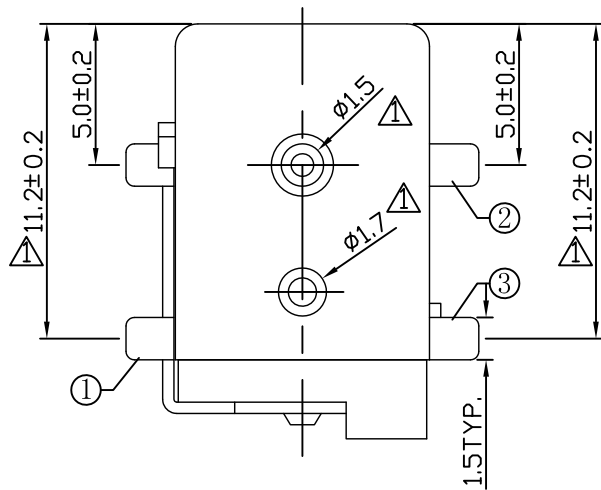


Rated voltage/ Rated current :5V/3A



T:1.6 Dimensions of PC board holes
Tolerance : ±0.1(Printed-top view)



LTR	PART NAME	QTY	MATERIAL	REMARK
6	COVER	1	PA9T	UL-94V0(BLACK)
5	HOUSING	1	PA9T	UL-94V0(BLACK)
4	PIN	1	C2680	MB:Cu Ni PLATED
3	CURVE PIECE	1	C2680 t=0.4	MB:Cu Ag PLATED
2	SPRING	1	C5191 t=0.3	MB:Cu Ag PLATED
1	CURVE PIECE	1	C2680 t=0.4	MB:Cu Ag PLATED

UNLESS OTHERWISE SPECIFIED, TOLERANCE ON DECIMAL:±0.2

RoHS Compliant

TOLERANCES ARE

MORETHANALL
PCB CONNECTORS
Cable ASSEMBLIES

DRAWING BY CY

X.±

CHECKED BY GENIUS

.X±

UNIT/mm

SCALE 1:1

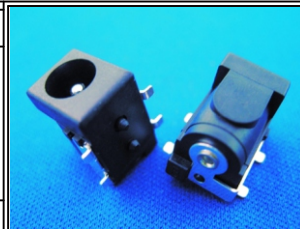
.XXX±

DATE

ANG±

SIZE A4

PJECTION



ORDER INFORMATION

DCJ-W54A3-20-LF
SERIES | 20:2.0Ø | LEADFREE
3A
POST 5.0+4.5mm
90°SMT

煜倫股份有限公司

www.morethanall.com

DESCRIPTION: DC POWER JACK