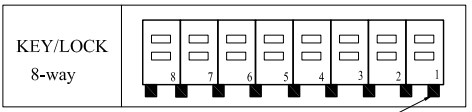
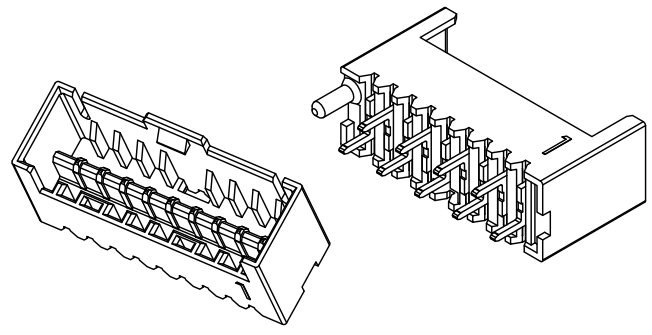
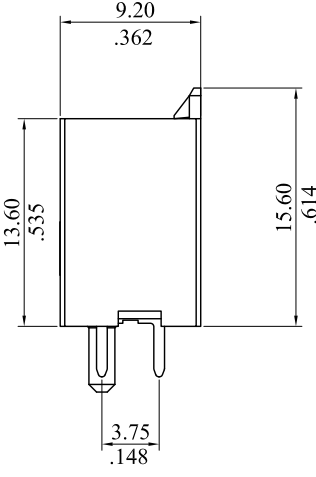
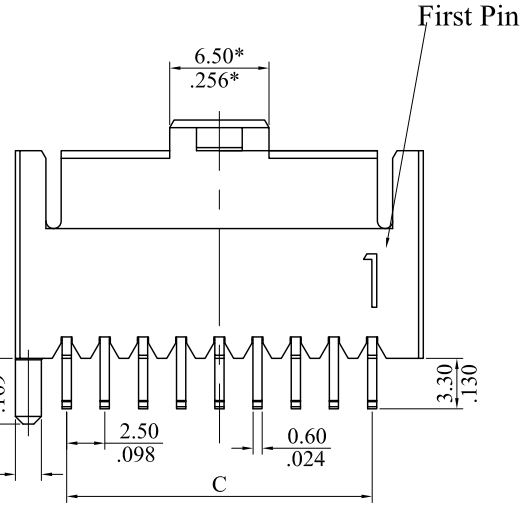
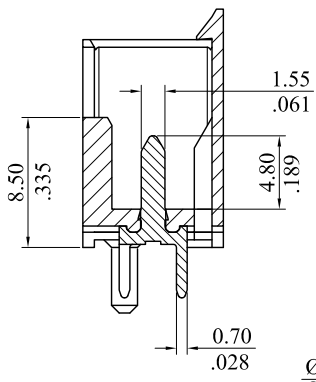
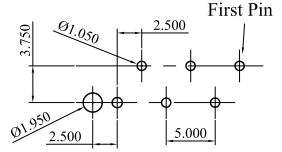
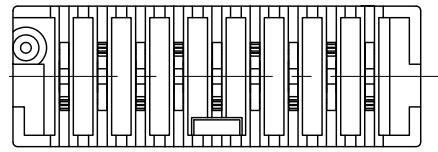


Notes:
 1. Insulator: Thermalplastic PA66+30%GF, UL94V-0, Nature
 2. Terminal: Brass
 Finish: Tin plated 120u" min. overall



A=C+6.7
 B=C+5.2
 C=2.50*(No. of circuit-1)
 (8Pin)
 A=24.2
 B=22.7
 C= 17.5



Reverse PCB layout

RET25-PDPL-08-LF
 LEADFREE
 RoHS Compliant

	PART NO. RET25-PDPL-08		CHECKED BY CY	TOLERANCES ARE .X ± .XX ± .XXX ± AWG	DESCRIP TION:			
	DWG NO. RET25-PDPL-08							
焯倫股份有限公司	FILE NO.		PROJECTION	AREA	REVISIONS	HK	DATE	
	UNIT / mm	SCALE 1:1						