

1 2 3 4 5 6 7 8 9 10

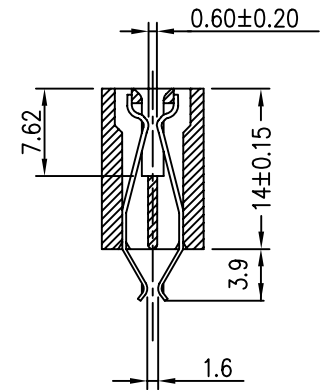
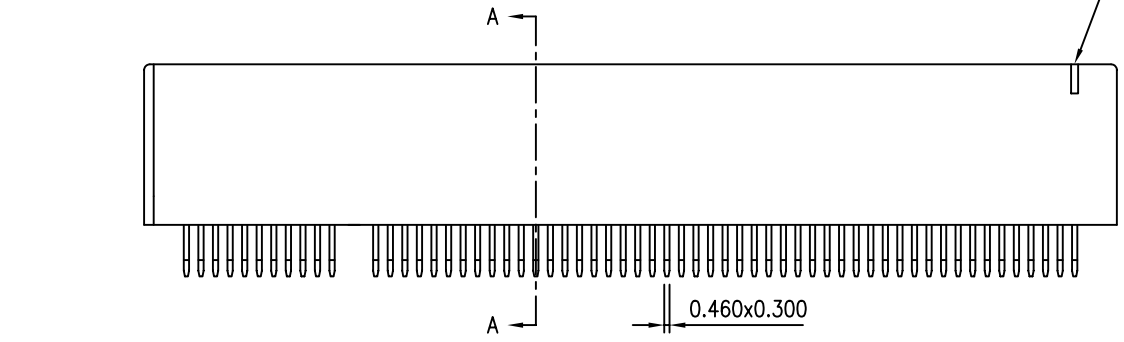
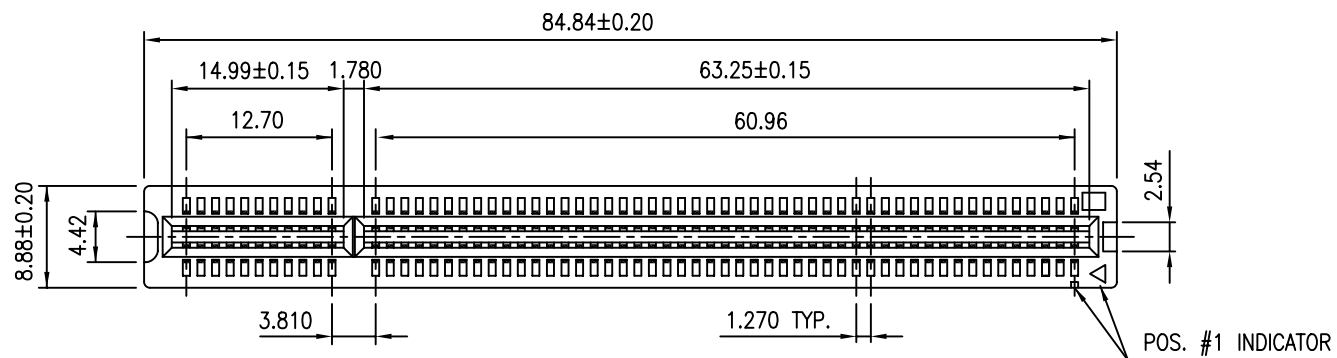
J  
I  
H  
G  
F  
E  
D  
C  
B  
A

**MATERIAL**  
 INSULATOR: GLASS-REINFORCED THERMOPLASTIC.  
 CONTACT: COPPER ALLOY.  
 PLATING: MATING AREA - SELECTED GOLD OVER NICKEL.  
 SOLDER AREA - TIN/LEAD OVER NICKEL.

**ELECTRICAL**  
 VOLTAGE RATING: 250 VAC RMS.  
 CURRENT RATING: 1 AMP.  
 DIELECTRIC WITHSTANDING VOLTAGE: 500 VAC RMS 60Hz FOR 1 MINUTE.  
 INSULATION RESISTANCE: 1000 MEGOHMS MIN AT 500 VDC.  
 CONTACT RESISTANCE: 30 MILLIOHMS MAX AT 1 AMP DC.

**MECHANICAL**  
 RETENTION FORCE: 460 GRAMS MIN PER CONTACT.  
 INSERTION FORCE: 230 GRAMS MAX PER CONTACT PAIR.  
 WITHDRAWAL FORCE: 15 GRAMS MIN PER CONTACT PAIR.

**ENVIRONMENTAL**  
 TEMPERATURE RANGE: -55°C TO +105°C.



POS. #1 INDICATOR

PCI-E-120-LF  
 LEADFREE

RoHS Compliant



PART NO. PCI-E-120		APPROVED BY CY		TOLERANCES ARE .X±0.15 .XX±0.10 .XXX±0.05	DESCRIP TION: 1.27mm PCI 120 POS CLIP BOARD
DWG NO. PCI-E-120		DRAWING BY			
FILE NO.		PROJECTION		AREA	REVISIONS
UNIT / mm	SCALE 1:1			HK	DATE

煜倫股份有限公司