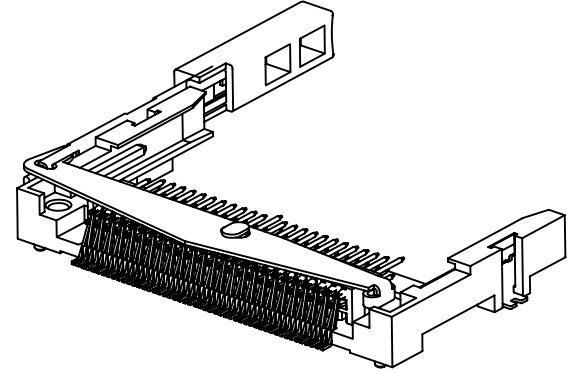
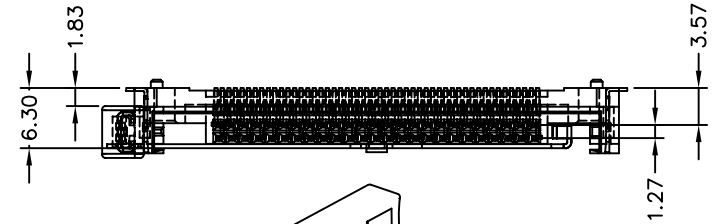
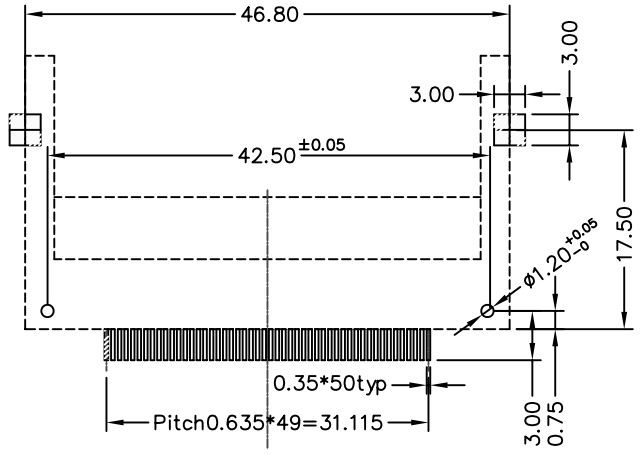


**NOTE:**

- A. Material:**
1. Housing : LCP 30% G.F. , UL94-V0 rated
  2. Contact : Copper allpy
  3. Pad : Brass
  4. Rotating arm : Stainless steel t=0.40
  5. Push bar : Stainless steel t=0.30
  6. Button : PBT 30% G.F. , UL94-V0 rated
- B. Plating**
1. Contact : Underplating 50u" min Nickel, Contant area 15u" AU over Nickel plated. Solder tail 100u" min Sn/Pb over Nickel plated.
  2. Ped : 100u" min Sn/Pb over 50u" min Nickel plated.



Right hand push+Button



PCB Layout

CFC-PW42BE021RS-50-LF  
LEADFREE

RoHS Compliant

**Dimension L**

Pin type	Circuit No.	Dimensions mm
Detect	1,13,38,50	5.0 ± 0.1
General	2 to 12 , 14 to 24 27 to 37 , 39 to 49	4.25 ± 0.1
Power	25 , 26	3.5 ± 0.1



PART NO. CFC-PW42BE021RS-50

DWG NO. CFC-PW42BE021RS-50

FILE NO.

APPROVED BY CY

DRAWING BY

TOLERANCES ARE

.X ±0.125  
.XX ±0.050  
.XXX±0.010

DESCRIPTION: Compact Flash Card Socket SMT TYPE  
( Standard type fit Type I & Type II CF Card )  
Stand Off : 2.1mm & POST L=42.5mm

煜倫股份有限公司

UNIT / mm SCALE 1:1

PROJECTION

AREA	REVISIONS	HK	DATE
------	-----------	----	------