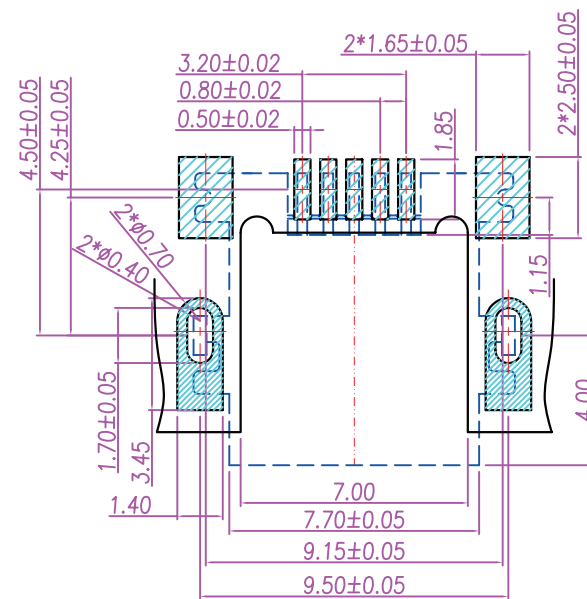
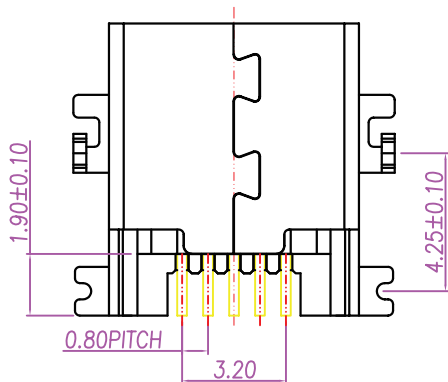
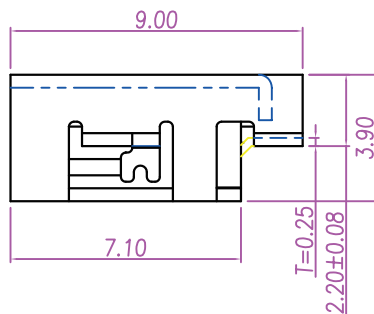
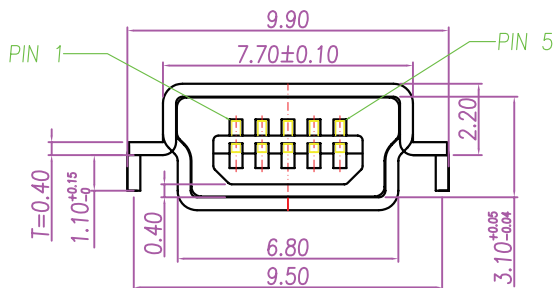


REEL PACKAGE WITH MYLAR



RECOMMENDED P.C.B. LAYOUT



NOTE:

1.ELECTRICAL PROPERTIES:

- 1-1.CONTACT CURRENT RATING:1A AT 250V AC MIN.
- 1-2.CONTACT RESISTANCE:30m Ohm MAX
- 1-3.INSULATION RESISTANCE:100M Ohm MIN.
- 1-4.DIELECTRIC WITHSTANDING VOLTAGE:AC 500V/1 MINUTE.

2.MATERIAL:

- 2-1.TERMINAL:PHOSPHOR BRONZE(C5191R-H),T=0.25mm.
- 2-2.HOUSING:LCP
- 2-3.SHELL : BRASS C2680 T=0.40mm.

3.PLATING:

- 3-1.TERMINAL: GOLD 10u" MIN ON CONTACT AREA, UNDERPLATED NICKEL OVER ALL 50u" MIN.
- 3-2.SHELL: NICKEL 60u"

BOM	
5	CONTACT
1	SHELL
1	HOUSING
數量	零件

RoHS Compliant

MORETHANALL
PCB CONNECTORS
Cable ASSEMBLIES

煜倫股份有限公司

www.morethanall.com

DRAWING BY CY

CHECKED BY GENIUS

UNIT/ mm

SCALE 1:1

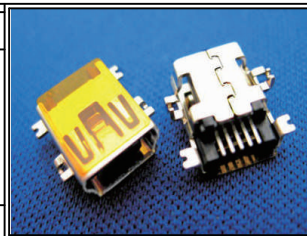
DATE

SIZE A4

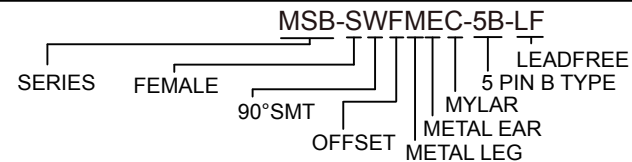
PJECTION

TOLERANCES ARE

X. ±
.X ± 0.20
.XX ± 0.10
.XXX ±
ANG ±



ORDER INFORMATION



DESCRIPTION: Mini Usb 5P(F) 破板式