

1 2 3 4 5 6 7 8 9 0

J

I

H

G

F

E

D

C

B

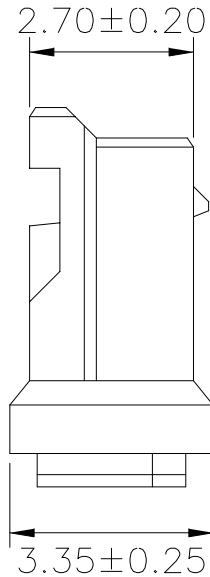
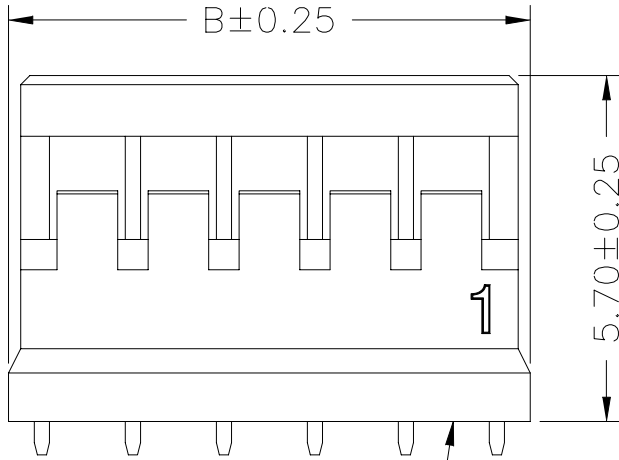
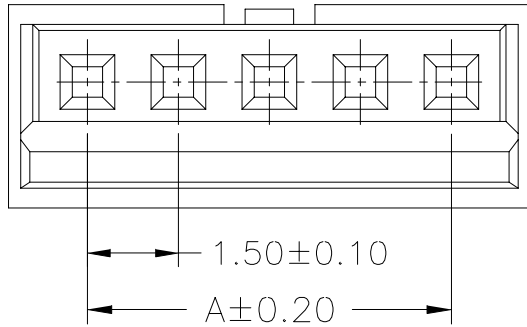
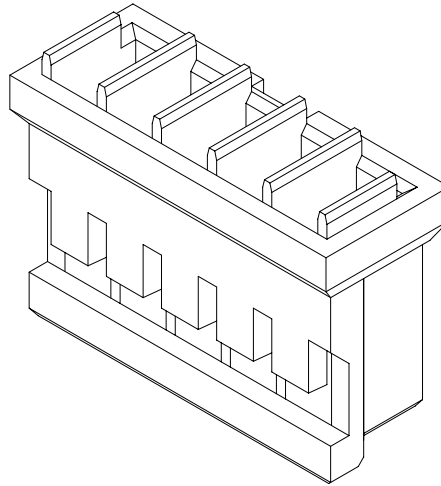
A

SPECIFICATIONS

Current Rating: 1A AC,DC
 Voltage Rating: 100V AC,DC
 Temperature Range: -25°C ~ +85°C
 Contact Resistance: 20mΩ Max.
 Insulation Resistance: 500MΩ Min.
 Withstanding Voltage: 500V AC/minute
 Material: Nylon 66,UL94V-0

Ordering Information & Dimensions

PART NO.	Dimensions	
	A	B
ZHQ-H-02	1.50	4.10
ZHQ-H-03	3.00	5.60
ZHQ-H-04	4.50	7.10
ZHQ-H-05	6.00	8.60
ZHQ-H-06	7.50	10.10
ZHQ-H-07	9.00	11.60
ZHQ-H-08	10.50	13.10
ZHQ-H-09	12.00	14.60
ZHQ-H-10	13.50	16.10
ZHQ-H-11	15.00	17.60
ZHQ-H-12	16.50	19.10
ZHQ-H-13	18.00	20.60
ZHQ-H-14	19.50	22.10
ZHQ-H-15	21.00	23.60



Circuit 1



PART NO. **ZHQ-H-xx**

DWG NO. **ZHQ-H-xx**

FILE NO.

UNIT / mm

SCALE 1:1

CHECKED BY CY

DRAWING BY

PROJECTION

TOLERANCES ARE

.X ± 0.2
 .XX ±
 .XXX ±
 AWG

DESCRIPTION:

1.50mm PITCH HOUSING

AREA

REVISIONS

HK

DATE

煜倫股份有限公司