

DETAIL A

SPECIFICATION

1.MATERIAL

Insulator: Thermal Plastic UL94V-0
 Contacts: Copper Alloy T=0.2mm
 CONTACT AREA PLATING:15u"-30u" Selective Gold
 SOLDER AREA PLATING:1u" Gold
 Shell: Stainless T=0.25mm Underplate Nickel 20u" Tin 100u"

2.MECHANICAL:

MATING FORCE:35N MAX.
 UNMATING FORCE:10N MIN. INITIAL
 8-20N AFTER 10000 CYCLES
 DURABILITY:10000 CYCLES

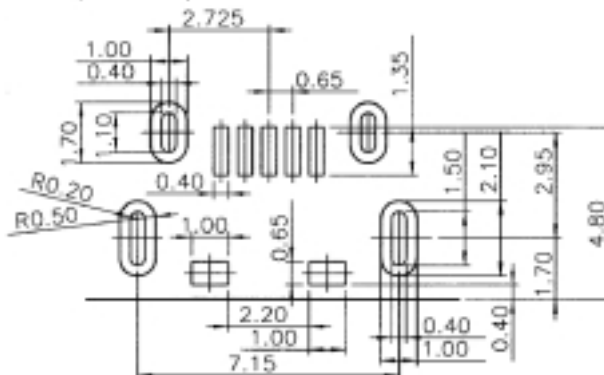
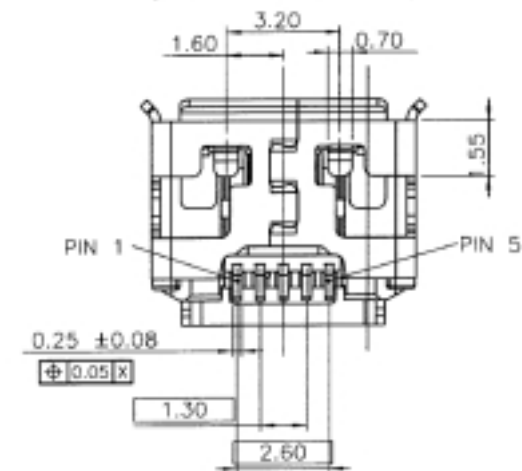
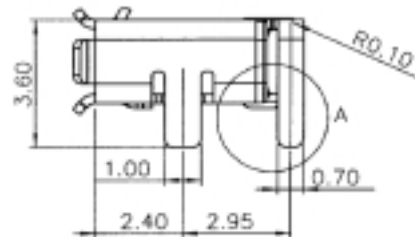
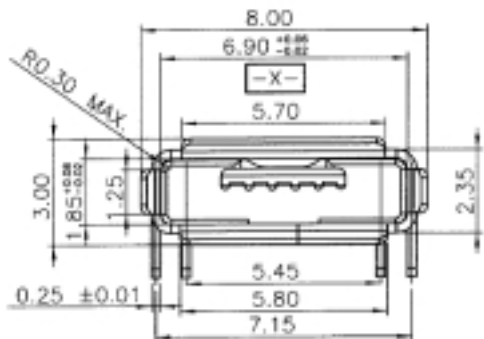
3.ELECTRICAL

Operation voltage: 30V MAX.
 Current rating: 1.0 Amps max.
 Contact resistance: 30 mahms MAX. initial
 40 mahms MAX. AFTER 10000 CYCLES
 Insulation resistance: 100 Mahms min @ 500 VDC
 Dielectric withstanding voltage: 100 VAC / minute
 Temperature range: -30°C TO +85°C

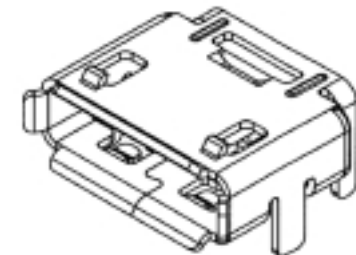
MISB-SWMM-5AB-LF

LEADFREE

RoHS Compliant



RECOMMENDED PCB LAYOUT
 TOLERANCE: ±0.05mm
 PCB THICKNESS: 0.8mm
 TOP VIEW



MORETHANALL
 CONNECTORS
 ASSEMBLIES

PART NO. MISB-SWMM-5AB

DWG NO. MISB-SWMM-5AB

FILE NO.

CHECKED BY CY

DRAWING BY

TOLERANCES ARE

.X ± 0.2
 .XX ±
 .XXX ±
 AWG

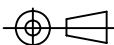
DESCRIPTION:

煜倫股份有限公司

UNIT / mm

SCALE 1:1

PROJECTION



AREA

REVISIONS

HK

DATE