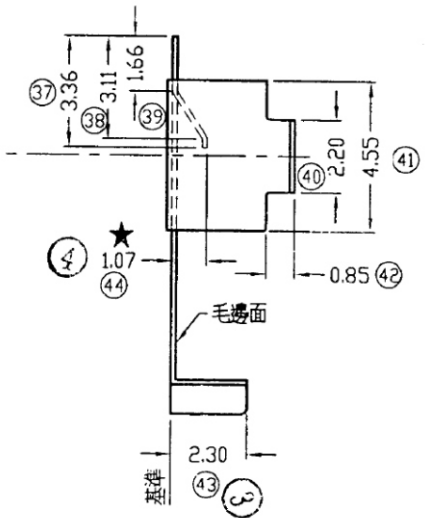
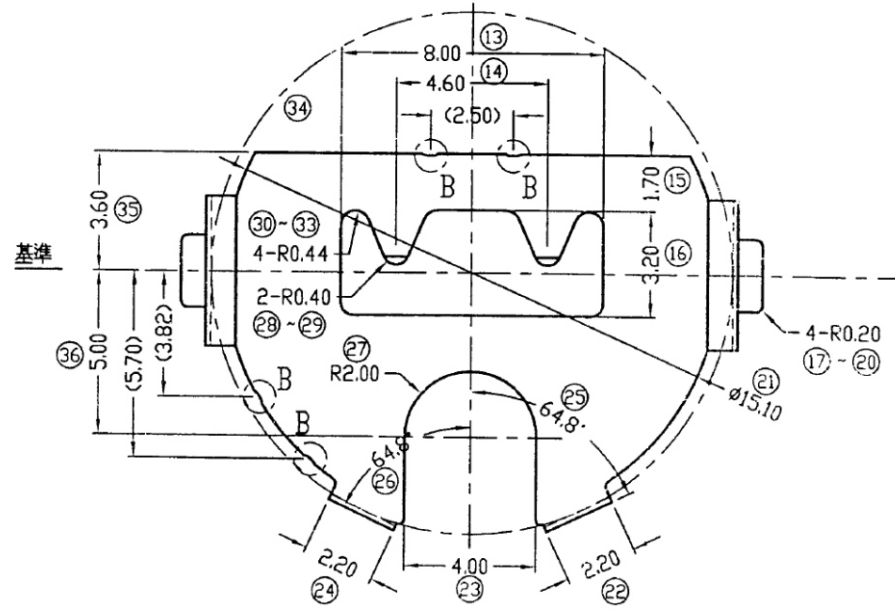


B 部工藝缺口示意圖 \*4PCS  
SCALE:4:1



注：  
1) 圖中標注 ★ 為重點尺寸

RoHS Compliant

TOLERANCES ARE



DRAWING BY CY

CHECKED BY GENIUS

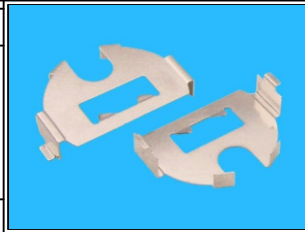
UNIT / mm SCALE 1:1

DATE

SIZE A4

X, ±  
X, ±  
.XX ±  
.XXX ±  
ANG ±

PJECTION



ORDER INFORMATION

BTH-W38-16-LF  
SERIES | LEADFREE  
CR1632  
HIGH 3.85mm  
90°SMT

煜倫股份有限公司

www.morethanall.com

DESCRIPTION: