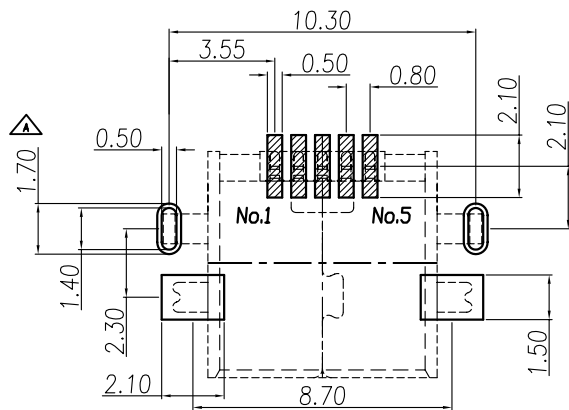
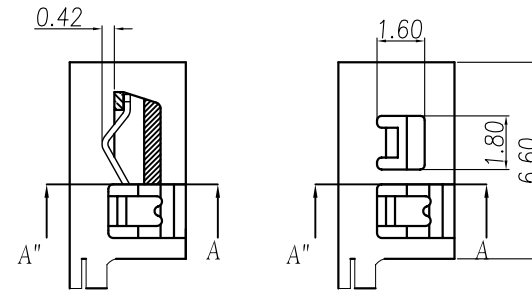
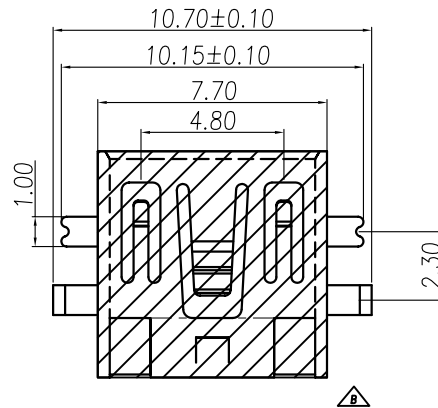
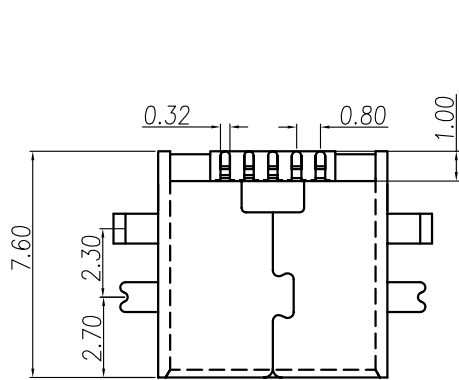
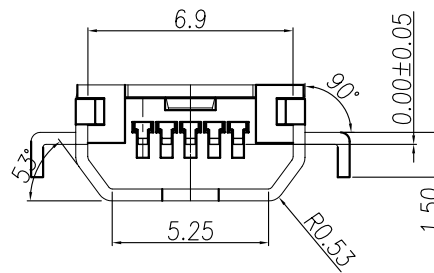


MSB-SWFEMC-5AB-LF
LEADFREE
RoHS Compliant



Recommend P.C.B LAYOUT



備註 /NOTE:

1. 安規
 - 1-1. 規格 /RATING: 5V / 1A
 - 1-2. 絕緣阻抗 /Insulation Resistance: 100M ohm Min at DC 500V
 - 1-3. 絕緣耐壓 /DielectricWithstandingVoltage: AC100V for 1 Minute
 - 1-4. 接觸阻抗 /Contact Resistance: 30m ohm or less
2. 材質 /MATERIAL:
 - 2-1. 膠芯 /Housing:LCP
 - 2-2. 針 /Pin: 磷銅 /PHOSPHOR BRONZE
 - 2-3. 銅殼 /Shell: 黃銅 /BRASS
3. 電鍍 /electroplate
 - 3-1. 針 /Pin: 半金10u”鍍 /GOLD10u”鍍
 - 3-2. 銅殼 /Shell: 霧錫 /TIN



PART NO. MSB-SWFEMC-5AB

DWG NO. MSB-SWFEMC-5AB

CHECKED BY CY

TOLERANCES ARE

.X ± 0.2
.XX ± 0.1
.XXX ±
AWG

DESCRIP TION: MINI USB 5PIN(F) 沉板式DIP

煜倫股份有限公司

FILE NO.

DRAWING BY

UNIT / mm

SCALE 1:1

PROJECTION

AREA

REVISIONS

HK

DATE