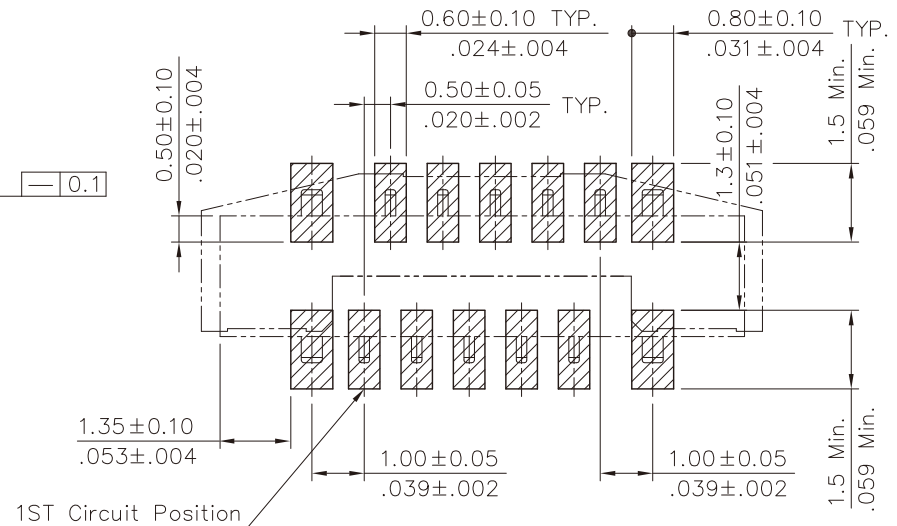
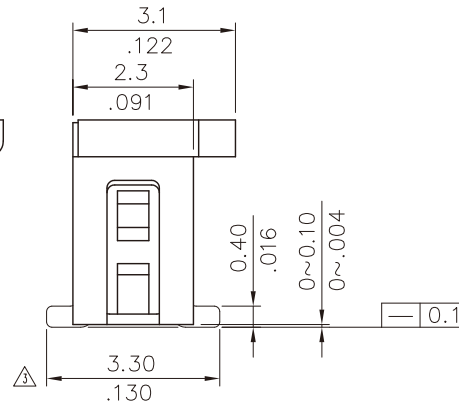
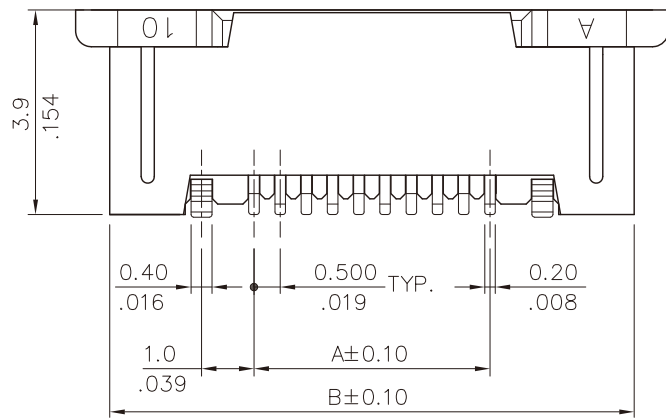


Material :

- * Body : NYLON 9T With 33% GF. UL 94V-0, Color Nature
- △ * Slider : NYLON 6T With 30% GF. UL 94V-0, Color Black
- * Contact : Phosphor Bronze, With Matte Tin plated
- * Fixed tab : Brass, With Matte Tin plated



A = 0.50 x No. of Spaces

B = A + 5.5

C = A + 1.2

△ D = A + 6.8

* Available in 4 through 50 circuits

Sold Pad Pattern

RoHS Compliant

TOLERANCES ARE

MORETHANALL
PCB CONNECTORS
Cable ASSEMBLIES

煜倫股份有限公司

www.morethanall.com

DRAWING BY CY

CHECKED BY GENIUS

UNIT/mm SCALE 1:1

DATE

SIZE A4

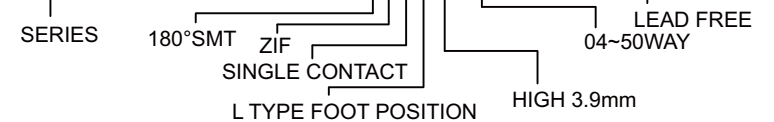
PJECTION

X, ±
.X ± 0.15
.XX ± 0.10
.XXX ± 0.05
ANG ±



ORDER INFORMATION

FPV-VZAL39-xx-LF



DESCRIPTION: