

**SPECIFICATIONS**

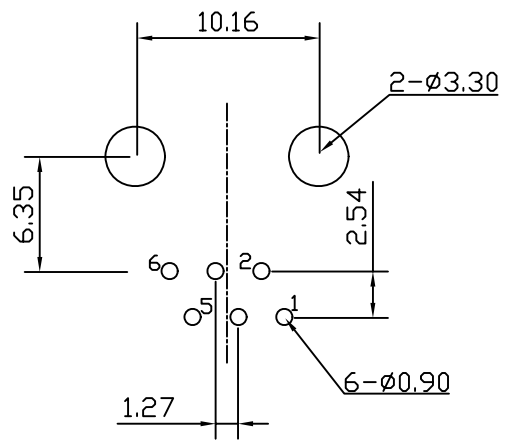
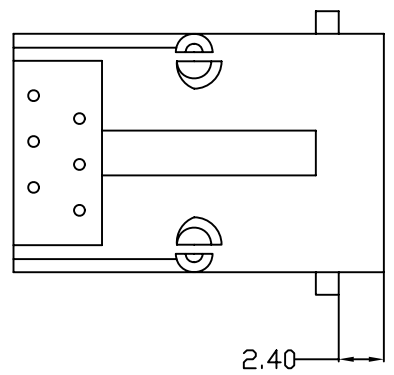
**MATERIAL:**

- 1. Housing : PBT Polyester UL94V0
- 2. Color : Black
- 3. Contacts : 0.35mm Thickness Alloy Selective Gold Plating

**ELECTRICAL:**

- 1. Current Rating : 1.5 AMP MAX
- 2. Voltage Rating : 150 VAC MAX
- 3. Contact Resistance : 20 milliohms MAX, initial
- 4. Insulation Resistance : 500 Megohms MIN
- 5. Dielectric Withstanding Voltage : 1000 VAC, 1min

UL. CUL NO.: E166003



PCB LAYOUT/TOP VIEW

MJ15-Kx06-0606  
 T  
 X:W/□ EAR  
 E:W/EAR



PART NO. MJ15-Kx06-0606

DWG NO. MJ15-Kx06-0606

FILE NO.

CHECKED BY CY

DRAWING BY

TOLERANCES ARE  
 .X±0.3  
 .XX±0.2  
 .XXX±  
 AWG

DESCRIPTION: 6P Side Entry Modular Jack

焜倫股份有限公司

UNIT / mm

SCALE 1:1

PROJECTION

AREA

REVISIONS

HK

DATE