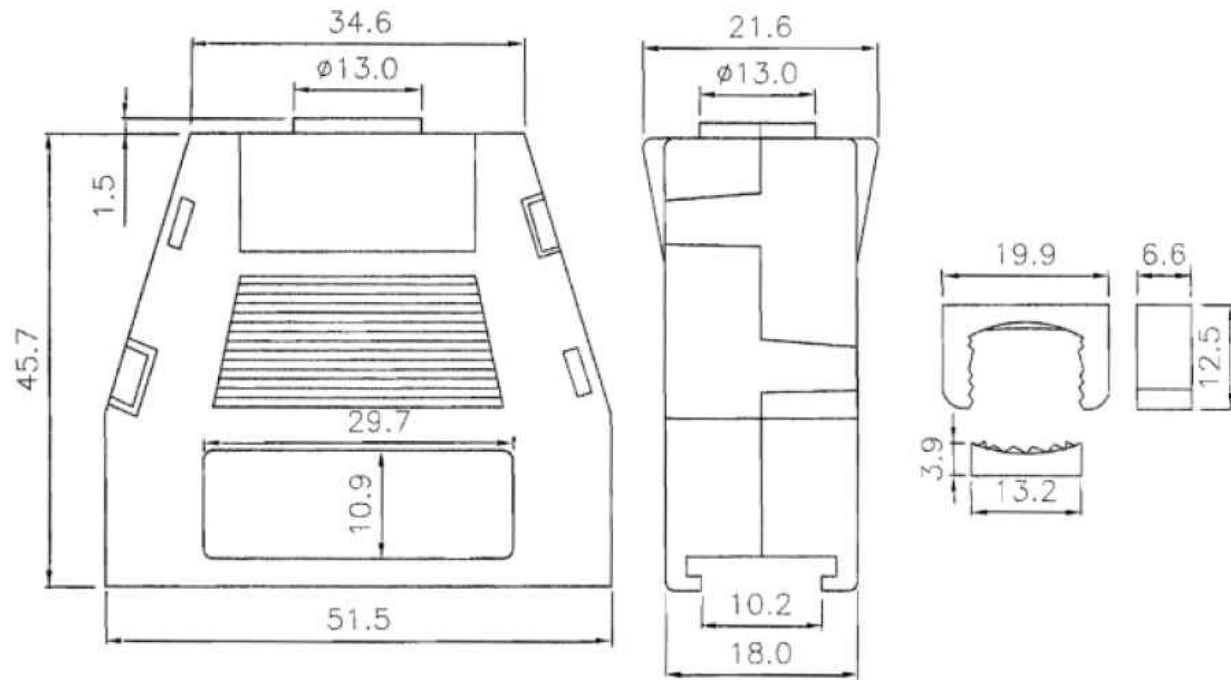


MATERIAL:
INSULATOR : ABS UL94HB
FINISHED :

INSULATOR COLOR
K=BLACK (黑色)
G=GREY (灰色)
B=BEIGE (貝吉色)
C= CHROMATE



CQ-x1-36-LF
K:BLACK LEADFREE
G:GREY
B:BEIGE
C:CHROMATE

RoHS Compliant

PACKLIST : 500 SET/CTN NW:12.0G GW:13.0KG CUFT:2.04'

MORETHANALL
CONNECTORS
ASSEMBLIES

PART NO. CQ-x1-36

DWG NO. CQ-x1-36

FILE NO.

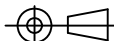
UNIT / mm

SCALE 1:1

CHECKED BY CY

DRAWING BY

PROJECTION



TOLERANCES ARE

.X ± 0.2
.XX ±
.XXX ±
AWG

DESCRIPTION:

AREA

REVISIONS

HK

DATE

煜倫股份有限公司