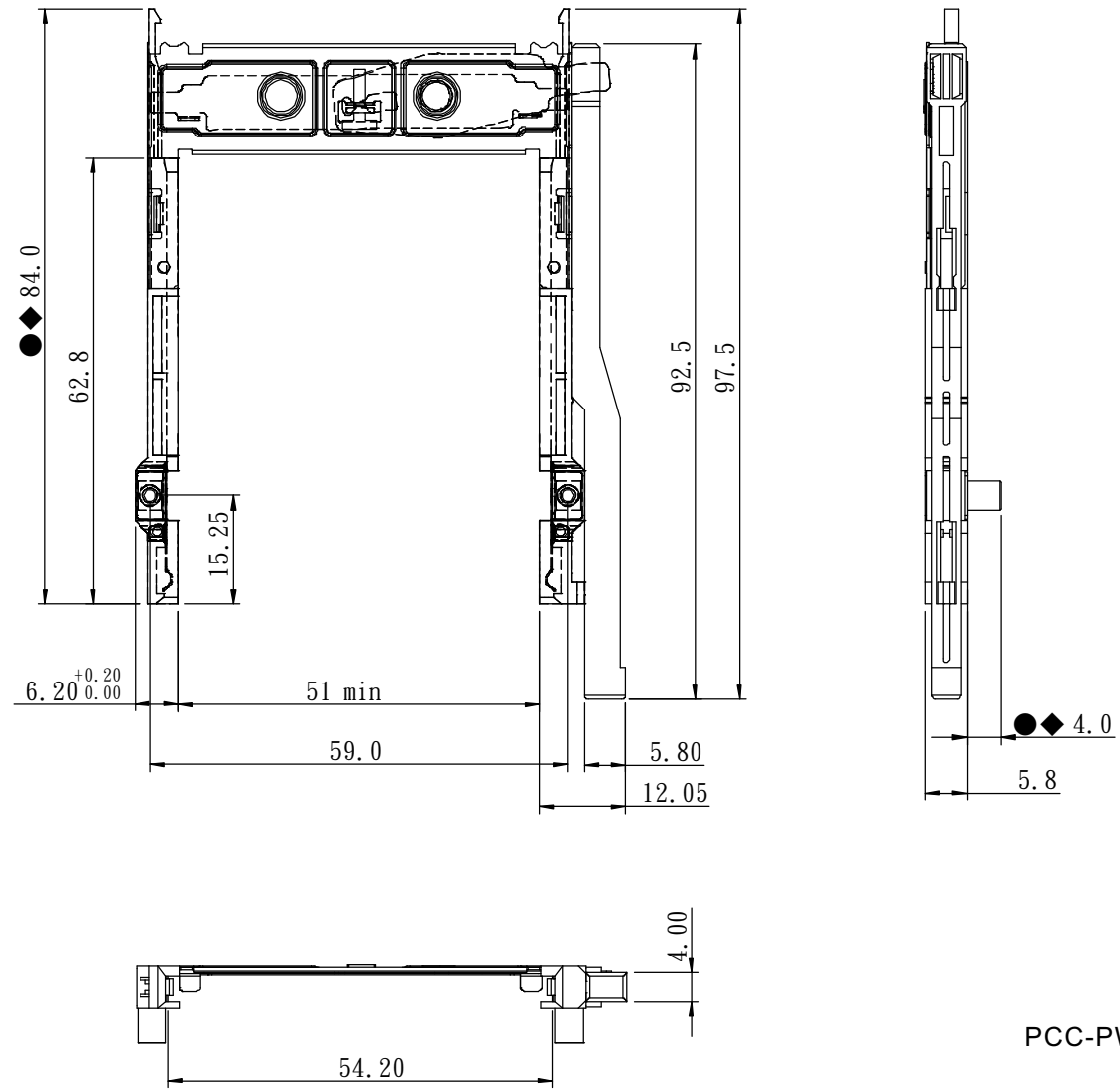


1 2 3 4 5 6 7 8 9 0

J
I
H
G
F
E
D
C
B
A

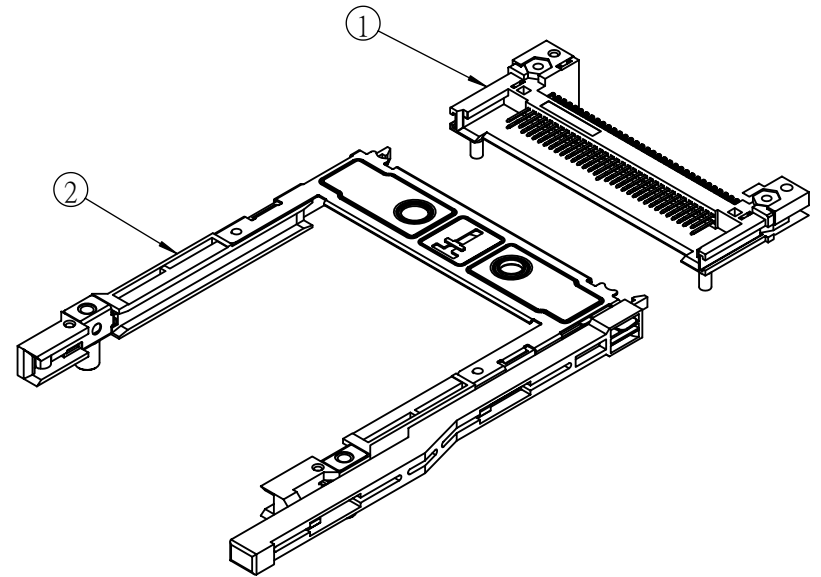
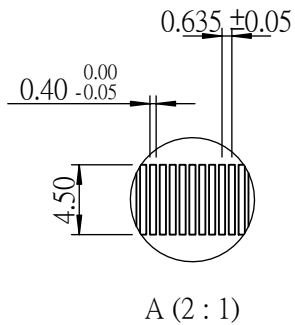
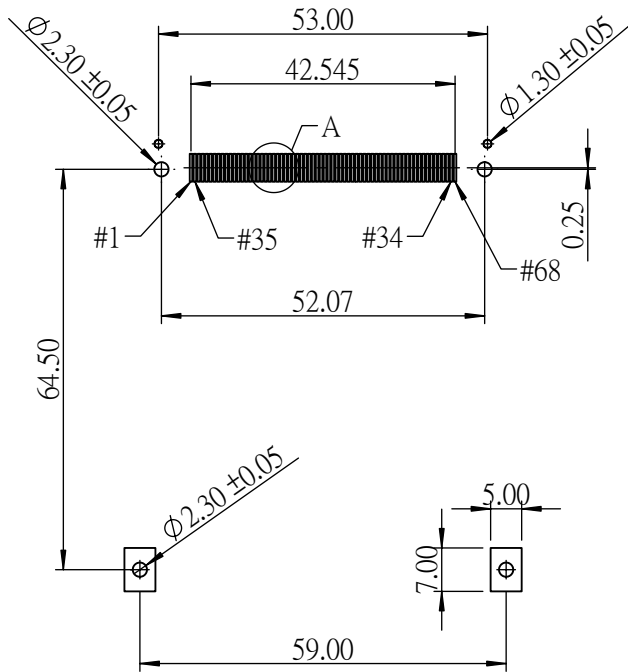


PCC-PWL40V3RS9-68-LF
LEADFREE
RoHS Compliant

M MORETHANALL
CONNECTORS
ASSEMBLIES

PART NO. PCC-PWL40V3RS9-68		CHECKED BY CY		TOLERANCES ARE		DESCRIPTION: PCMCIA ASSEMBLY	
DWG NO. PCC-PWL40V3RS9-68		DRAWING BY		.X ± 0.2 .XX ± .XXX ± AWG		AREA	
FILE NO.		PROJECTION		REVISIONS		HK	
UNIT / mm	SCALE 1:1	DATE					

煜倫股份有限公司



PCB LAYOUT : COMPONENT SIDE

ITEM	NAME
1	HEADER
2	EJECTOR

MORETHANALL
CONNECTORS
ASSEMBLIES

PART NO. PCC-PWL40V3RS9-68

DWG NO. PCC-PWL40V3RS9-68

CHECKED BY CY

TOLERANCES ARE

DESCRIPTION:

FILE NO.

DRAWING BY

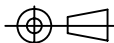
.X ± 0.2
.XX ±
.XXX ±
AWG

煜倫股份有限公司

UNIT / mm

SCALE 1:1

PROJECTION



AREA

REVISIONS

HK

DATE