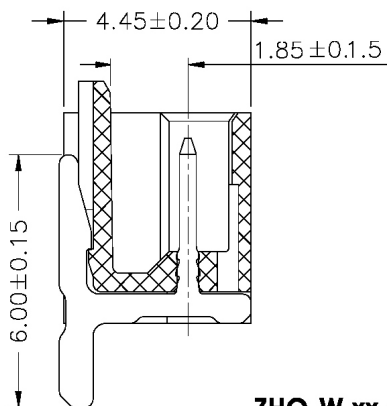


PCB LAYOUT



ZHQ-W-xx-LF
LEADFREE

SPECIFICATIONS

Current Rating: 1A AC,DC
Voltage Rating: 100V AC,DC
Temperature Range: -25°C ~ +85°C
Contact Resistance: 20mΩ Max.
Insulation Resistance: 500MΩ Min.
Withstanding Voltage: 500V AC/minute
Pin Material: Brass/Tin-plated
Material: Nylon 6T,UL94V-0

Ordering Information & Dimensions

PART NO.	Dimensions	
	A	B
ZHQ-W-02	1.50	4.30
ZHQ-W-03	3.00	5.80
ZHQ-W-04	4.50	7.30
ZHQ-W-05	6.00	8.80
ZHQ-W-06	7.50	10.30
ZHQ-W-07	9.00	11.80
ZHQ-W-08	10.50	13.30
ZHQ-W-09	12.00	14.80
ZHQ-W-10	13.50	16.30
ZHQ-W-11	15.00	17.80
ZHQ-W-12	16.50	19.30
ZHQ-W-13	18.00	20.80
ZHQ-W-14	19.50	22.30
ZHQ-W-15	21.00	23.80

MORETHANALL
CONNECTORS
ASSEMBLIES

煜倫股份有限公司

PART NO. ZHQ-W-xx

DWG NO. ZHQ-W-xx

FILE NO.

UNIT / mm

SCALE 1:1

CHECKED BY CY

DRAWING BY

PROJECTION

TOLERANCES ARE

.X ± 0.2
.XX ±
.XXX ±
AWG

DESCRIPTION:

1.50mm PITCH 90° WAFER-SMT TYPE

AREA

REVISIONS

HK

DATE