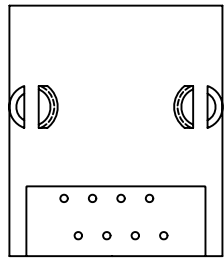
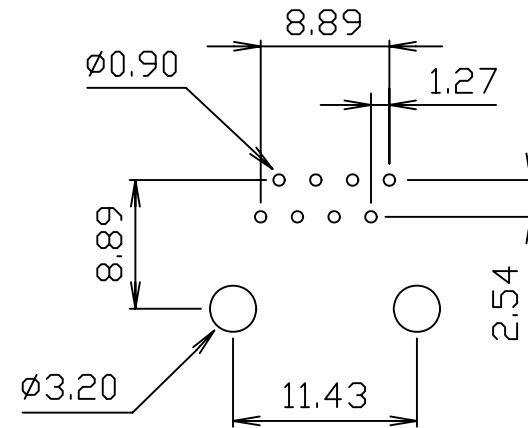


DETAIL X



MATERIALS:

HOUSING-PBT POLYESTER UL94V-0
 MIXED GLASS FIBER.
 • STANDARD COLOR-BLACK
 CONTACTS-0.45mm DIA. ROUND PHOS-BRONZE
 PLATED WITH HARD GOLD.
 CAVITY CONFIRMS TO FCC RULES AND REGULATIONS
 PART 68,SUBPART F.



PC Board Layout

MORETHANALL
 CONNECTORS
 ASSEMBLIES

PART NO. MJ12S-KX06-0808

DWG NO. MJ12S-KX06-0808

FILE NO.

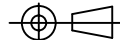
UNIT / mm

SCALE 1:1

CHECKED BY CY

DRAWING BY

PROJECTION



TOLERANCES ARE

.X ± 0.25

.XX ± 0.13

.XXX ±

AWG

DESCRIPTION:

AREA

REVISIONS

HK

DATE

8POSITION
 LOW PROFILE SIDE ENTRY PCB JACK

焯倫股份有限公司