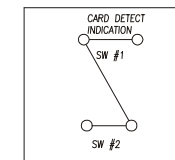


WITHOUT CARD

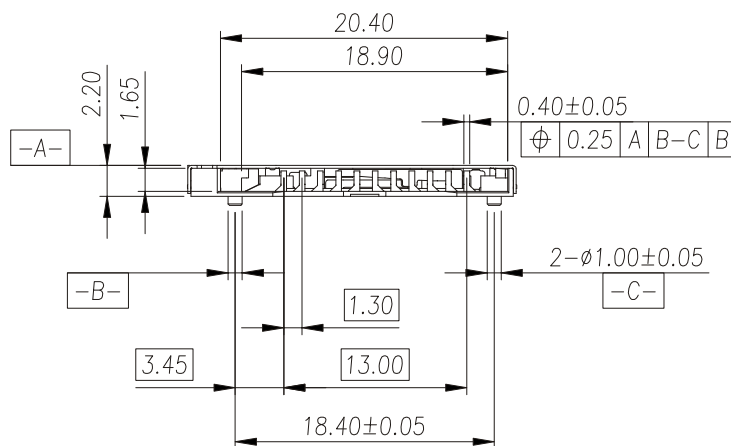


CARD INSERTED

Ordering Information:

MSDC-W18PC-11-LF
LEADFREE

RoHS Compliant



MORETHANALL
CONNECTORS
ASSEMBLIES

PART NO. MSDC-W18PC-11

DWG NO. MSDC-W18PC-11

CHECKED BY CY

TOLERANCES ARE

DESCRIP TION:

MINI SECURE DIGITAL MEMORY CARD
PUSH-PUSH CONNECTOR TYPE A

煜倫股份有限公司

FILE NO.

DRAWING BY

.X ± 0.2
.XX ± 0.1
.XXX ±
AWG

AREA

REVISIONS

HK

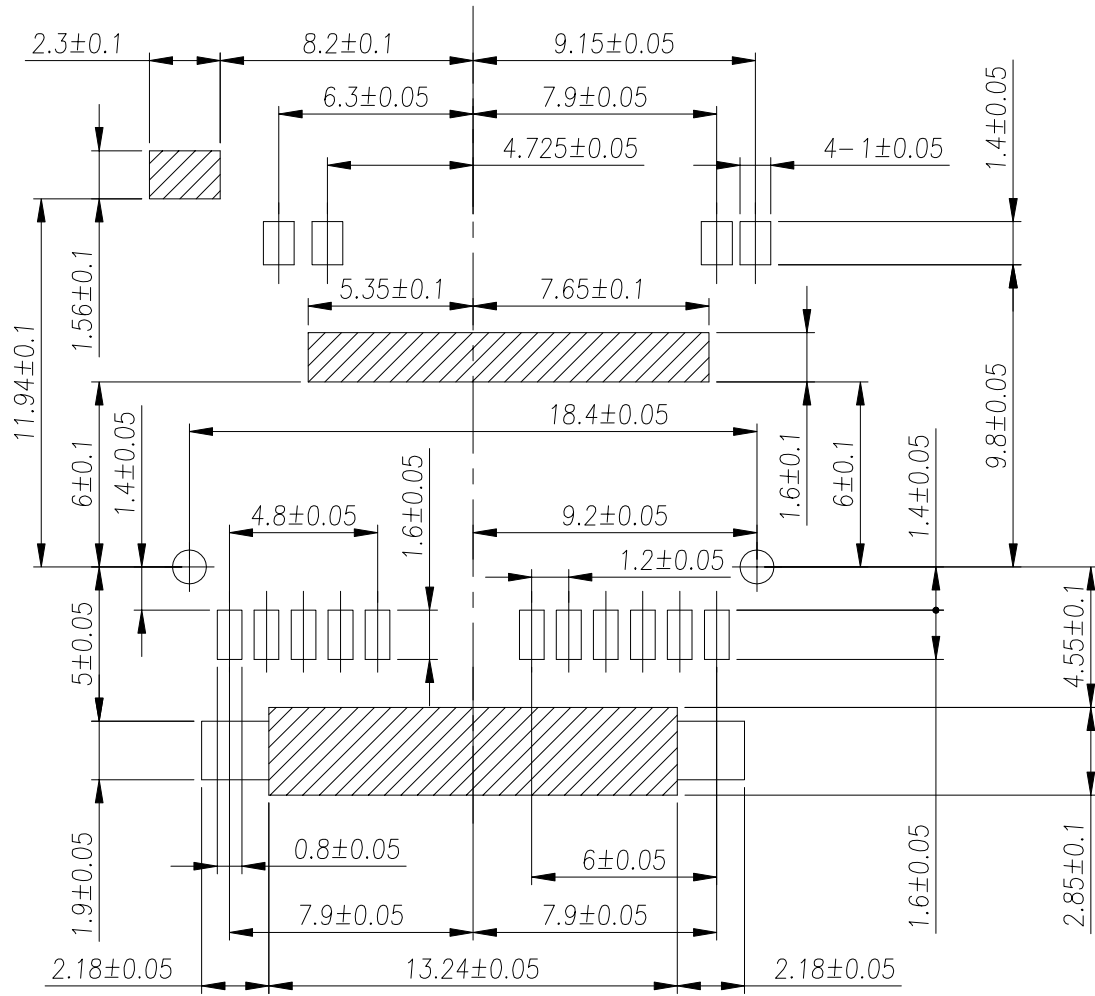
DATE

UNIT / mm

SCALE 1:1

PROJECTION





NOTES:

-  : PATTERN PROHIBITION AREA.

P.C.B Layout(TOP VIEW)



PART NO. MSDC-W18PC-11

DWG NO. MSDC-W18PC-11

CHECKED BY CY

TOLERANCES ARE

DESCRIP TION:

煜倫股份有限公司

FILE NO.

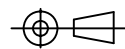
DRAWING BY

.X ± 0.2
.XX ± 0.1
.XXX ±
AWG

UNIT / mm

SCALE 1:1

PROJECTION



AREA

REVISIONS

HK

DATE