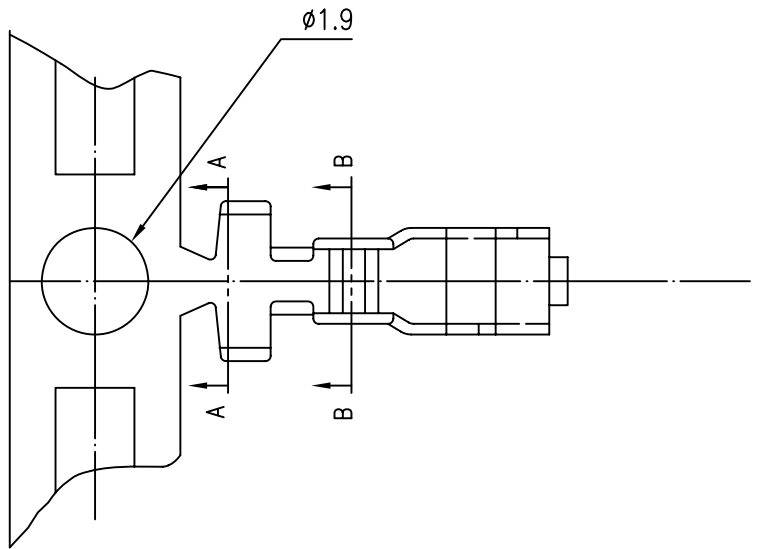


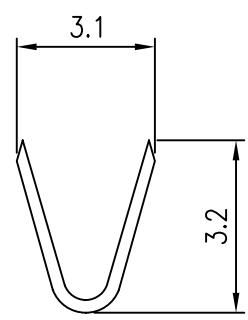
1 2 3 4 5 6 7 8 9 0

J
I
H
G
F
E
D
C
B
A

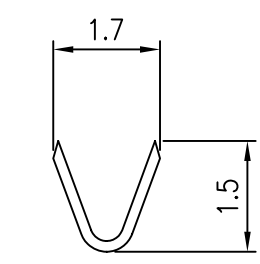
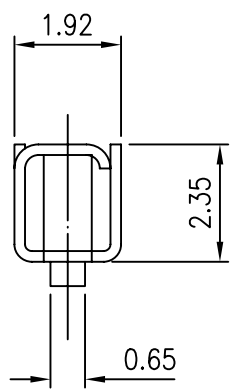
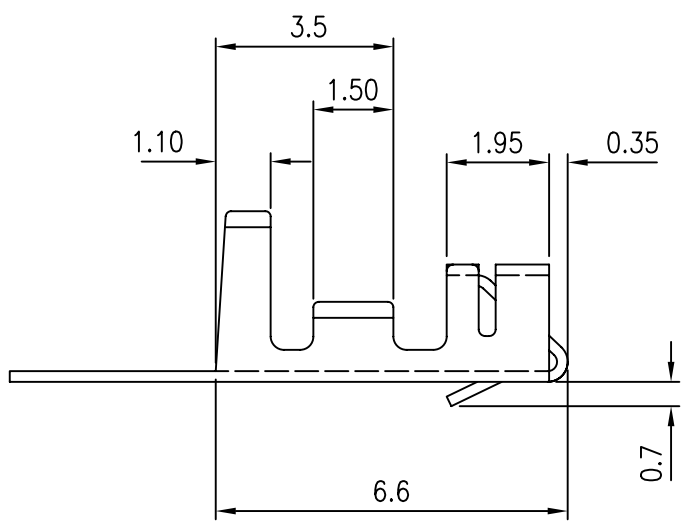


■ **TERMINAL**

- Material: Phos. bronze
- Thickness: 0.2mm
- Plating: Tin plated 60u"
- Wire Range: Suitable for AWG#22~28
- Insulation O.D: 1.90mm(max)
- Q'TY: 8,000 pcs/roll



A-A SECTION



B-B SECTION



PART NO. XH-T-22

DWG NO. XH-T-22

FILE NO.

APPROVED BY CY

DRAWING BY

TOLERANCES ARE
.X
.XX
.XXX
AWG

DESCRIPTION: 2.50mm Pitch Terminal

煜倫股份有限公司

UNIT / mm

SCALE 1:1

PROJECTION

AREA

REVISIONS

HK

DATE