

T:1.6 Dimensions of PC board holes
Tolerance : ±0.1(Printed-top view)

SCHEMATIC

PJ-R35T3N-05C	PJ-R35T3N-04R	PJ-R35T3N-04L	PJ-R35T3N-03	PJ-R35T3N-03B

UNLESS OTHERWISE SPECIFIED, TOLERANCE ON DECIMAL: ±0.3

8	HOUSING	1	PBT 4815	UL-94V0
7	COVER	1	PBT 4815	UL-94V0
6	AXIS SUPPORT	1	H59(COPPER ALLOY)	MB:Cu Ni PLATED
5	5# CONTACT FOOT	1	C5191 t=0.3	MB:Cu Sn PLATED
4	4# CONTACT FOOT	1	C2680 t=0.4	MB:Cu Sn PLATED
3	3# CONTACT FOOT	1	C2680 t=0.4	MB:Cu Sn PLATED
2	2# CONTACT FOOT	1	C5191 t=0.25	MB:Cu Sn PLATED
1	1# CONTACT FOOT	1	C2680 t=0.5	MB:Cu Sn PLATED
LTR	PART NAME	QTY	MATERIAL	REMARK

RoHS Compliant

TOLERANCES ARE

MORETHANALL
PCB CONNECTORS
Cable ASSEMBLIES

煜倫股份有限公司

www.morethanall.com

DRAWING BY CY

CHECKED BY GENIUS

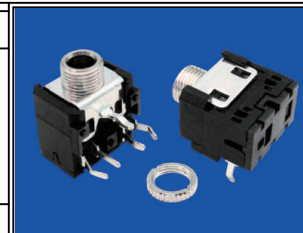
UNIT/mm SCALE 1:1

DATE

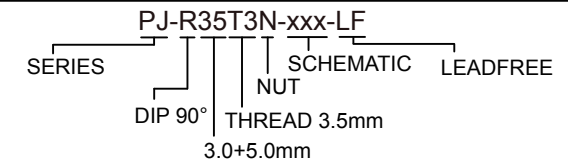
SIZE A4

X.±
.X±
.XX±
.XXX±
ANG±

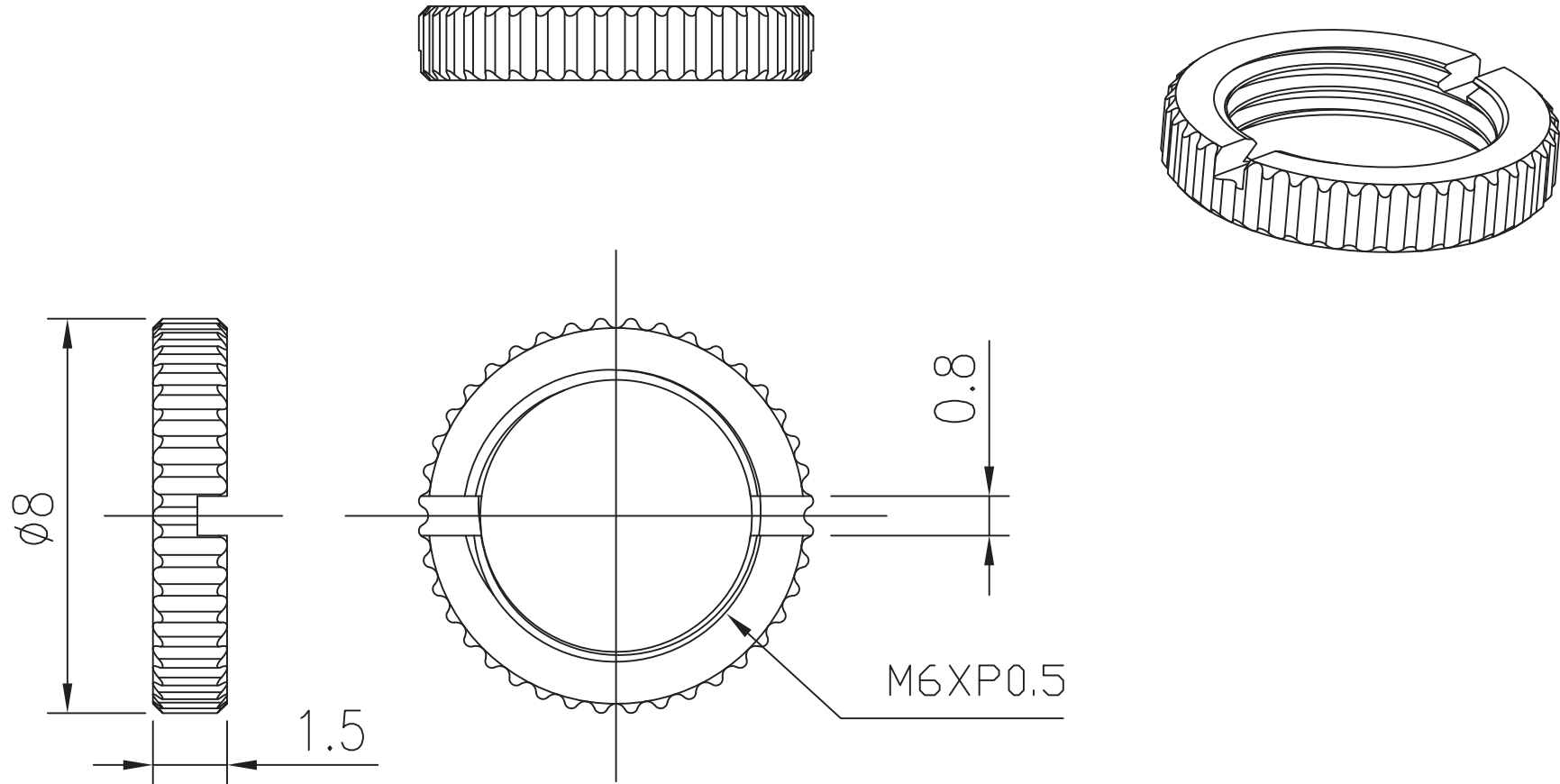
PPOJECTION



ORDER INFORMATION



DESCRIPTION: MINIATURE JACK



UNLESS OTHERWISE SPECIFIED, TOLERANCE ON DECIMAL: ± 0.3

RoHS Compliant

TOLERANCES ARE

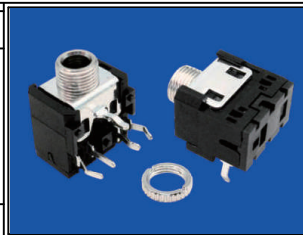
MORETHANALL
PCB CONNECTORS
Cable ASSEMBLIES

DRAWING BY CY		X. \pm .X \pm .XX \pm .XXX \pm ANG \pm
CHECKED BY GENIUS		
UNIT/ mm	SCALE 1:1	
DATE		

煜倫股份有限公司

www.morethanall.com

SIZE A4 PROJECTION



ORDER INFORMATION

PJ-R35T3N-xxx-LF			
SERIES	DIP 90°	NUT	LEADFREE
	THREAD 3.5mm		
	3.0+5.0mm		

DESCRIPTION: MINIATURE JACK

