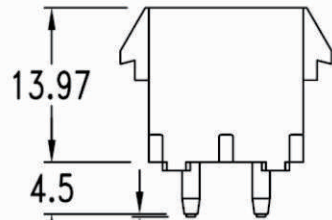
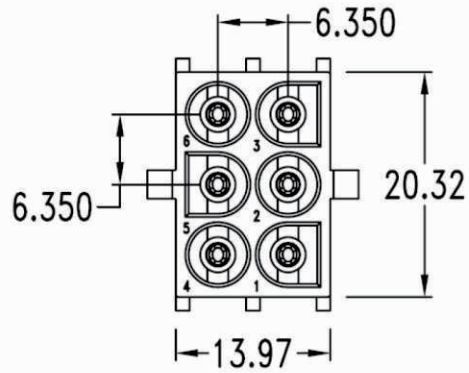
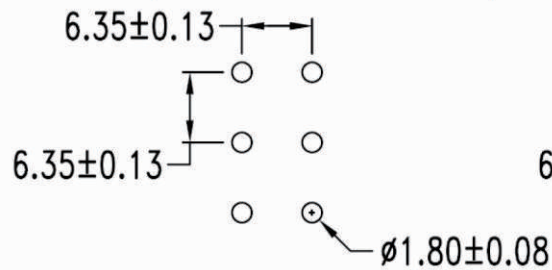


UL-PDX-3X02

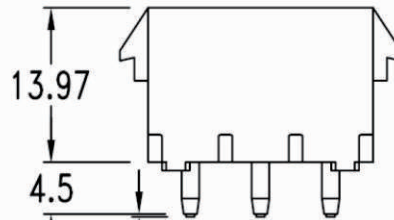
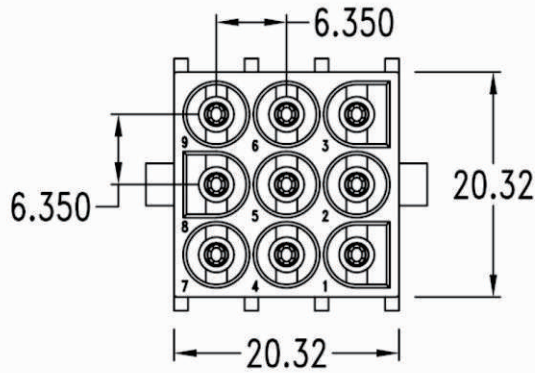


0.25 (Cut off Tab)

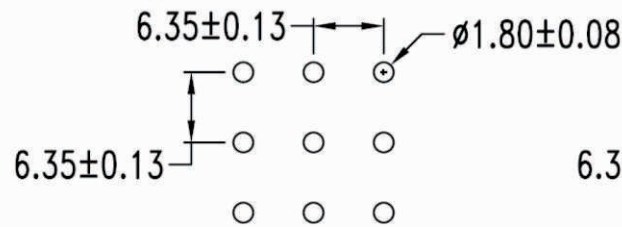


P. C. board layout

UL-PDX-3X03

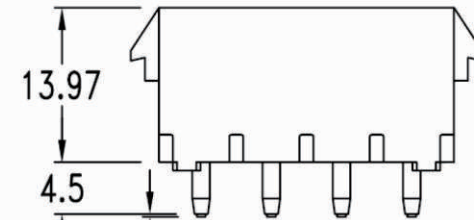
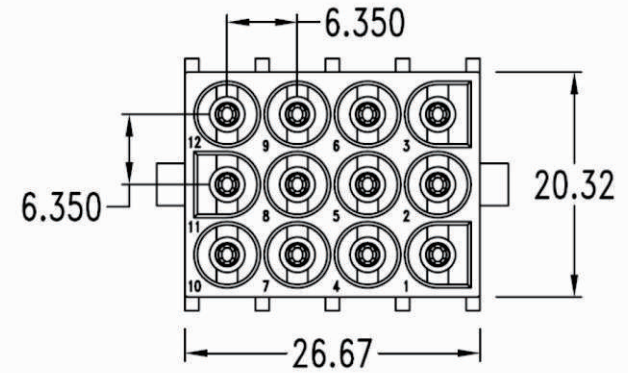


0.25 (Cut off Tab)

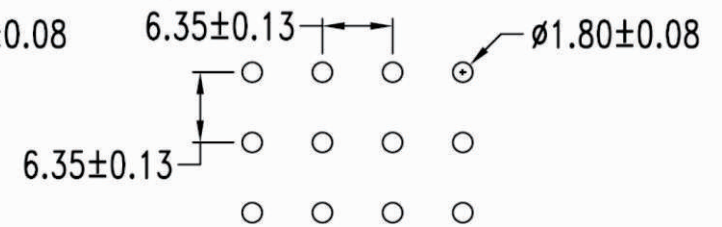


P. C. board layout

UL-PDX-3X04



0.25 (Cut off Tab)



P. C. board layout

RoHS Compliant

TOLERANCES ARE

MORETHANALL
PCB CONNECTORS
Cable ASSEMBLIES

煜倫股份有限公司

www.morethanall.com

DRAWING BY CY

CHECKED BY GENIUS

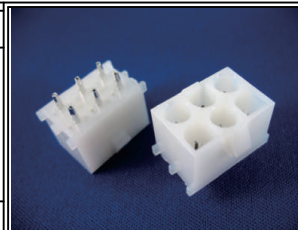
UNIT / mm SCALE 1 : 1

DATE

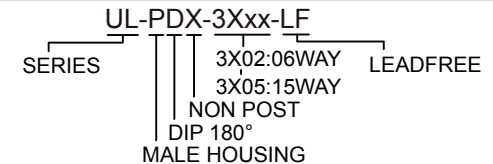
SIZE A4

X, ±
.X ±
.XX ±
.XXX ±
ANG ±

PJECTION



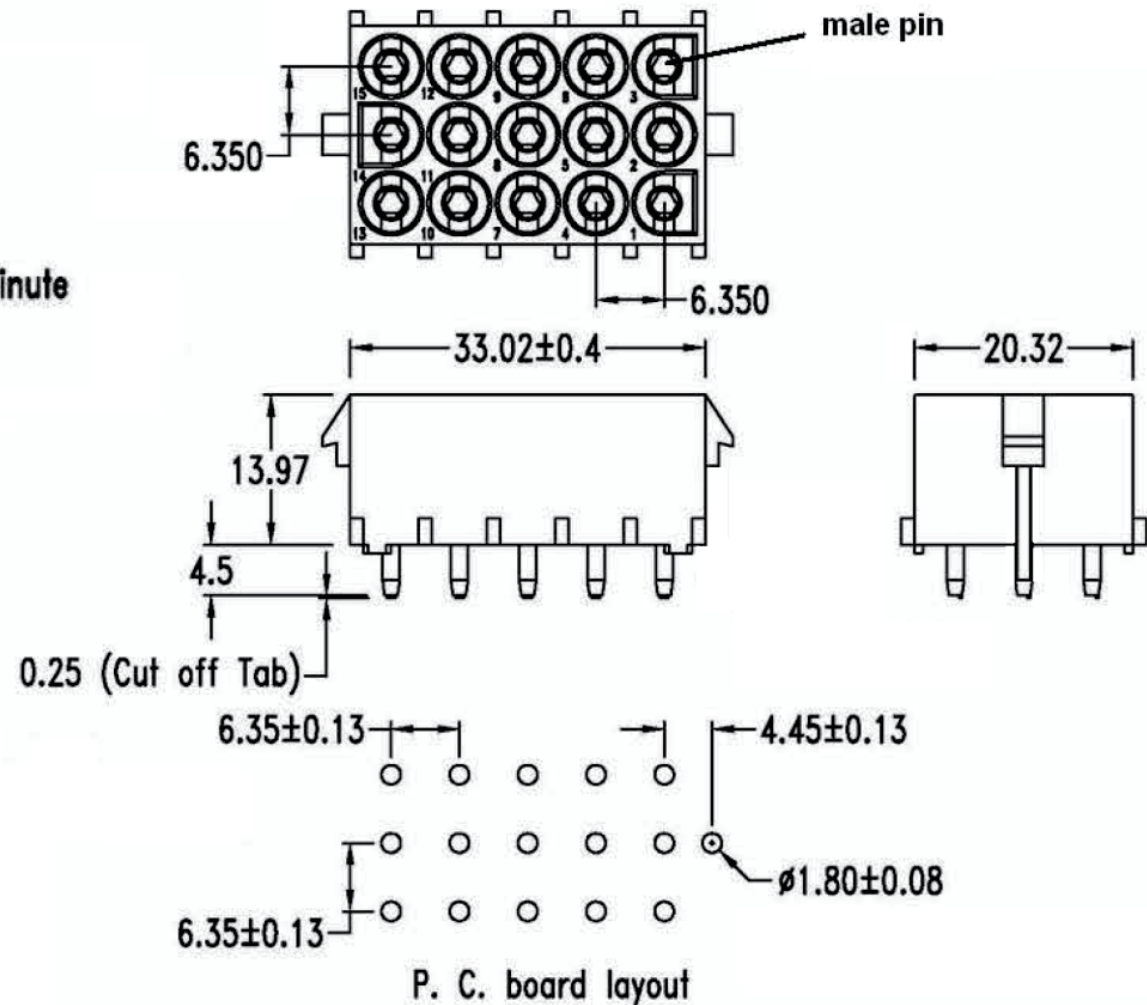
ORDER INFORMATION



DESCRIPTION:

Specification:

- Current rating: 13A (2~4P), 11A (6~15P)
- Voltage rating: 600V
- Dielectric withstanding voltage: 5000V AC/minute
- Ambient temperature rise: -55°C ~ 105°C



UL-PDX-3X05

MORETHANALL
PCB CONNECTORS
Cable ASSEMBLIES

煜倫股份有限公司

www.morethanall.com

RoHS Compliant

DRAWING BY CY

CHECKED BY GENIUS

UNIT / mm SCALE 1 : 1

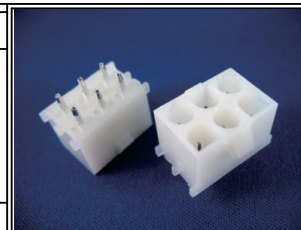
DATE

SIZE A4

TOLERANCES ARE

X. ±
.X ±
.XX ±
.XXX ±
ANG ±

P PROJECTION



ORDER INFORMATION

UL-PDX-3Xxx-LF
SERIES | 3X02:06WAY | LEADFREE
| 3X05:15WAY |
NON POST
DIP 180°
MALE HOUSING

DESCRIPTION: