

Specifications:

Current rating:5.0 AC/DC

Voltage rating:250V AC/DC

Contact resistance:20m ohm. max.

Insulator resistance:1000M ohm. Min.

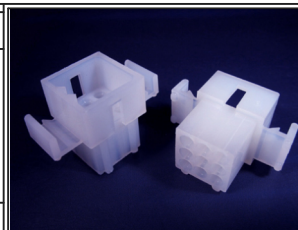
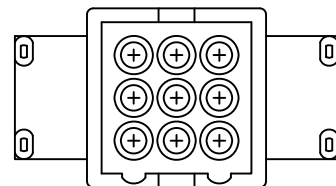
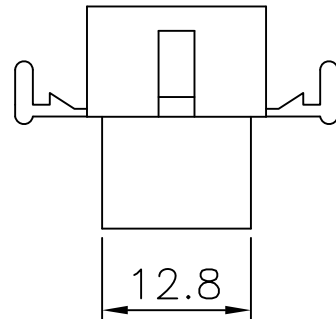
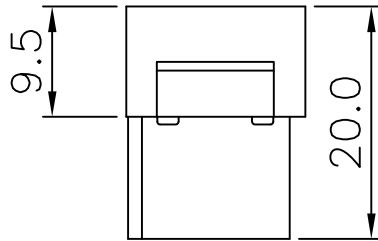
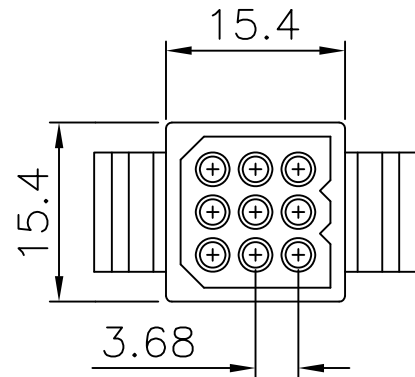
Withstanding voltage:1500V AC for one minute

Operating temperture range:-25°C to + 105°C

Application wire:AWG#26 TO #18

Material and Finish:

Insulator:high Temp. Plastic(UL94V-2)



RoHS Compliant

TOLERANCES ARE

MORETHANALL
PCB CONNECTORS
Cable ASSEMBLIES

DRAWING BY CY

CHECKED BY GENIUS

UNIT / mm

SCALE 1 : 1

DATE

SIZE A4

PJECTION

X. ±
.X ±
.XX ±
.XXX ±
ANG ±

煜倫股份有限公司

www.morethanall.com

ORDER INFORMATION

PS-PE-3X03-LF
SERIES | LEADFREE
| 09 WAY
EAR
MALE HOUSING

DESCRIPTION: