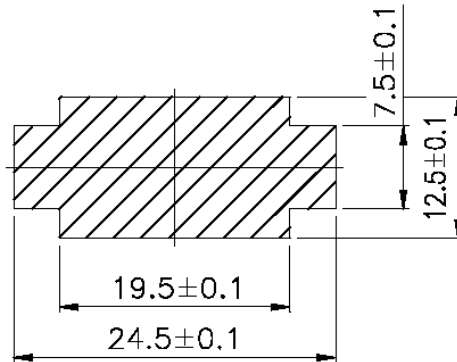
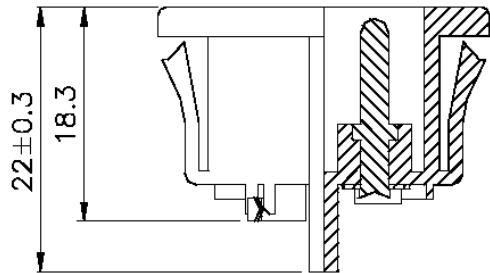


STANDARD: IEC 320 C8
 RATING: 2.5A/250V AC
 APPROVALS: UL/CSA/VDE/ÖVE/SEV/
 DEMKO/NEMKO/SEMKO/FIMKO



PANEL CUTOUT THICKNESS 0.6mm~2.0mm

MORETHANALL
 PCB CONNECTORS
 Cable ASSEMBLIES

煜倫股份有限公司

www.morethanall.com

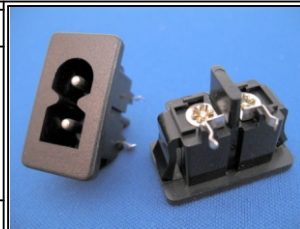
RoHS Compliant

DRAWING BY CY
 CHECKED BY GENIUS
 UNIT / mm SCALE 1:1
 DATE
 SIZE A4

TOLERANCES ARE

X.±
 .X±
 .XX±
 .XXX±
 ANG±

P PROJECTION



ORDER INFORMATION

ACD-PRPA-02-LF
 SERIES | | LEADFREE
 | | 02 WAY
 | | PANEL FRONT
 | | DIP 90°
 | | MALE

DESCRIPTION: