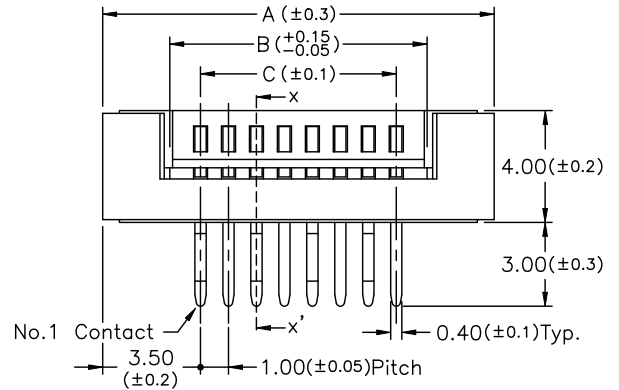
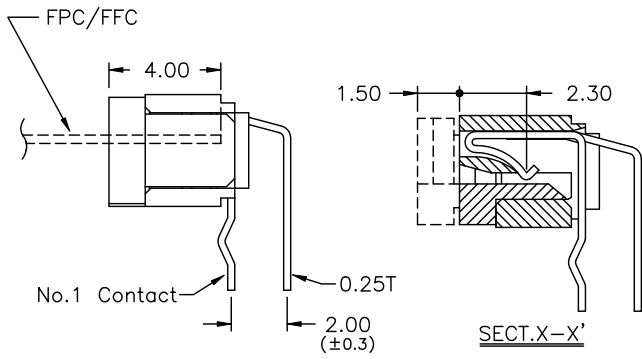


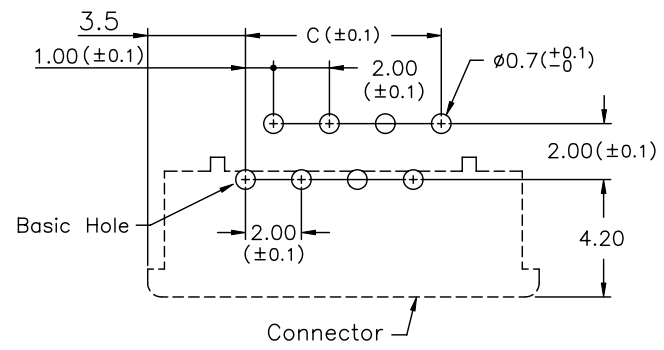
NOTE:
 1.MATERIAL:
 HOUSING:THERMOPLASTIC
 SLIDER:THERMOPLASTIC
 CONTACTS:COPPER ALLOY
 2.PLATING:
 CONTACTS:SEE ORDERING INFORMATION
 3.RATING:
 OPERATING VOLTAGE:50V
 CURRENT RATING:0.5A
 OPERATING TEMPERATURE:-55°C ~ +85°C



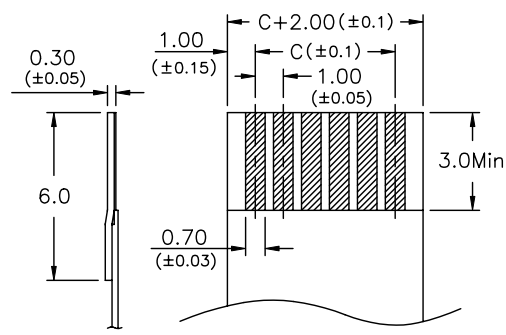
PCB Layout



Applicable FPC



Connector
 ↑
 FPC/FFC INSERT DIRECTION



Part Number	Dimensions		
	A	B	C
04	10.00	5.20	3.00
05	11.00	6.20	4.00
06	12.00	7.20	5.00
07	13.00	8.20	6.00
08	14.00	9.20	7.00
09	15.00	10.20	8.00
10	16.00	11.20	9.00
11	17.00	12.20	10.00
12	18.00	13.20	11.00
13	19.00	14.20	12.00
14	20.00	15.20	13.00
15	21.00	16.20	14.00
16	22.00	17.20	15.00
17	23.00	18.20	16.00
18	24.00	19.20	17.00
19	25.00	20.20	18.00
20	26.00	21.20	19.00
21	27.00	22.20	20.00
22	28.00	23.20	21.00
23	29.00	24.20	22.00
24	30.00	25.20	23.00
25	31.00	26.20	24.00
26	32.00	27.20	25.00
27	33.00	28.20	26.00
28	34.00	29.20	27.00
29	35.00	30.20	28.00
30	36.00	31.20	29.00
31	37.00	32.20	30.00
32	38.00	33.20	31.00

FPA-RZAL50-xx-LF
 LEADFREE

RoHS Compliant



PART NO. FPA-RZAL50-xx

DWG NO. FPA-RZAL50-xx

CHECKED BY CY

TOLERANCES ARE

DESCRIP TION: 1.0mm Pitch FPC/FFC Connector

FILE NO.

DRAWING BY

.X ± 0.2
 .XX ± 0.1
 .XXX ±
 AWG

AREA	REVISIONS	HK	DATE

煜倫股份有限公司

UNIT / mm SCALE 1:1

PROJECTION