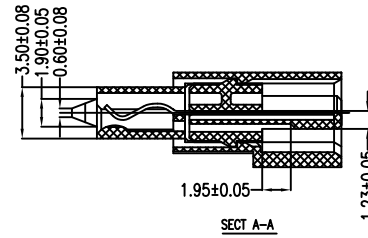
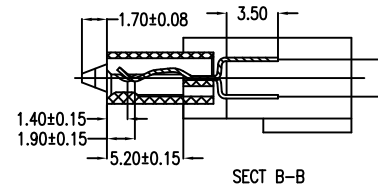


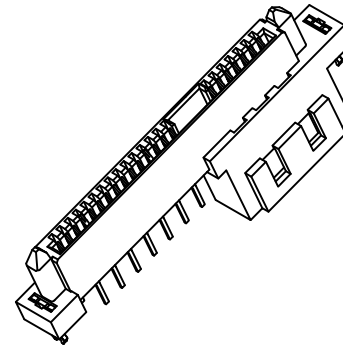
P.C.B. Layout(T=3.0)
TOP VIEW



SECTION A-A



SECTION B-B



NOTES:

*Material

Housing: LCP; Color: Black.
Contact: Phosphor Bronze
Plating: Gold Plating Over Nickel on Contact Area;
Tin Plating on Solder Tail.

*Mechanical

Insertion Force: 45N max.
Withdrawal Force: 10N min.
Durability: 500 cycles.

*Electrical Specification

Current Rating: 1.5 Ampere Per Contact.
Contact Resistance: 30 Milliohms max.
Insulation Resistance: 1000 Megohms min.
Dielectric Withstanding Voltage: 500 VAC

*Environmental

Operating Temperature: -55°C to +85°C

RoHS Compliant

TOLERANCES ARE

MORETHANALL
PCB CONNECTORS
Cable ASSEMBLIES

DRAWING BY CY

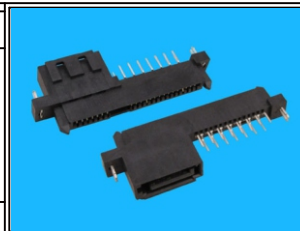
CHECKED BY GENIUS

UNIT / mm SCALE 1 : 1

DATE

SIZE A4 PPROJECTION

X, ±
.X ±
.XX ±
.XXX ±
ANG ±



ORDER INFORMATION

SATA-SD08ZA-7+15-LF
SERIES | | | LEADFREE
| | | 7+15 WAY
| | | A TYPE
FEMALE | CLIP
| HIGH 8.15mm
DIP 180°

DESCRIPTION: Serial ATA Straight of Female
7+15P and Male 7P Plug(None key)

煜倫股份有限公司

www.morethanall.com