

	C±0.17	D±0.17
2.5V	16.47	53.37

- NOTES:
- MATERIAL:
 - HOUSING: LCP WITH 30% G.F. UL 94V-0
 - CONTACT: BRASS
 - LATCH: STAINLESS
 - FINISH:
 - CONTACT: GOLD PLATED ON CONTACT & SOLDERING END OVER 50u" MIN. NICKEL UNDER-PLATING.
 - LATCH: 60~100u" SN ONLY (MATTE) PLATING OVER 50u" MIN. NICKEL UNDERPLATING

SDM6-W52V25-A640-LF
LEADFREE

RoHS Compliant

DETAIL A VOLTAGE OPTION



PART NO. SDM6-W52V25-A640

DWG NO. SDM6-W52V25-A640

CHECKED BY CY

TOLERANCES ARE

DESCRIP TION:

FILE NO.

DRAWING BY

.X ± 0.2
.XX ± 0.1
.XXX ±
AWG

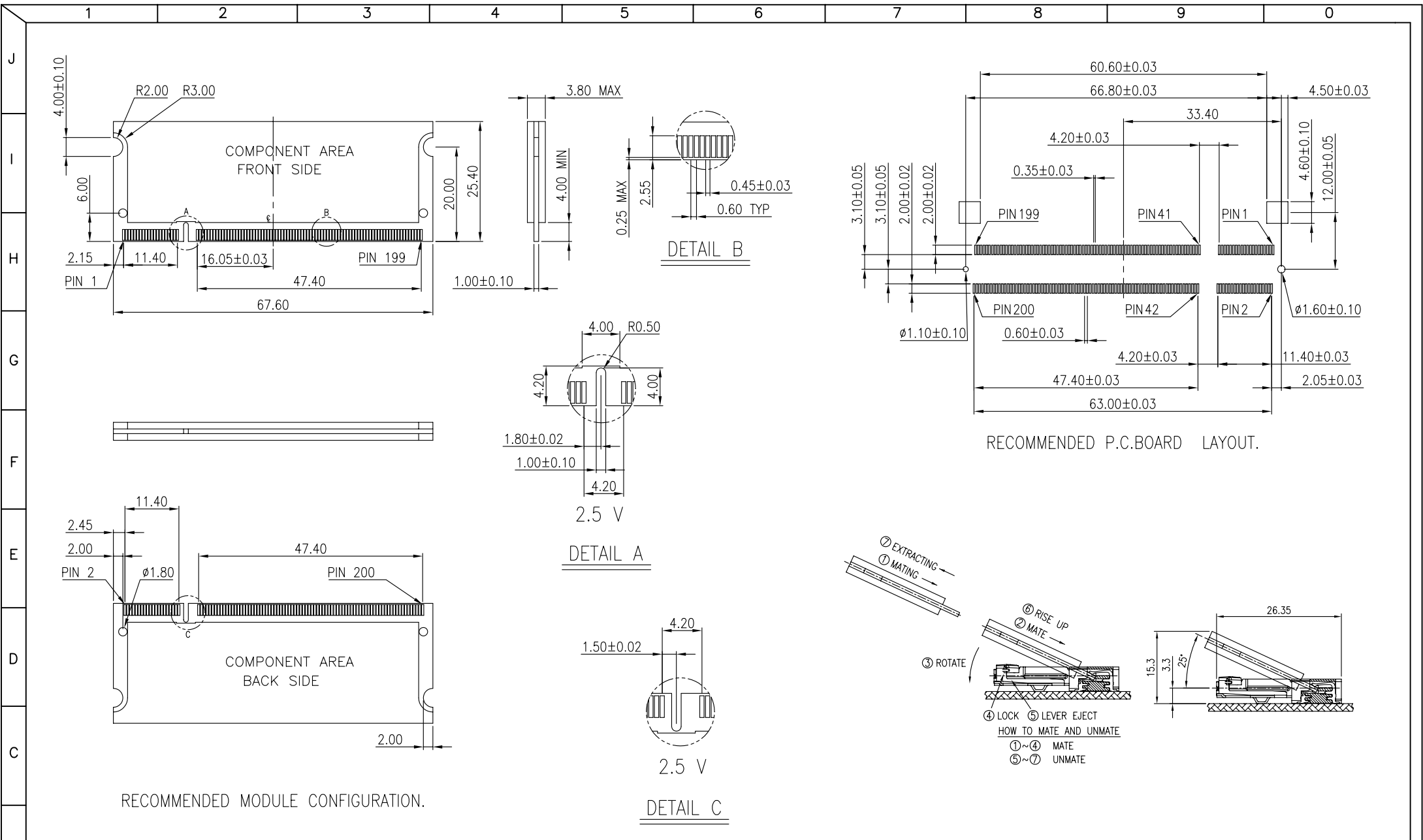
AREA	REVISIONS	HK	DATE
------	-----------	----	------

煜倫股份有限公司

UNIT / mm

SCALE 1:1

PROJECTION



MORETHANALL
CONNECTORS
ASSEMBLIES

PART NO. SDM6-W52V25-A640

DWG NO. SDM6-W52V25-A640

CHECKED BY CY

TOLERANCES ARE

DESCRIP TION:

DDR S.O.DIMM SOCKET 0.6MM PITC
200 PIN, 5.2 MM HEIGHT,
REVERSED B-TYPE (RoHS)

煜倫股份有限公司

FILE NO.

DRAWING BY

.X ± 0.2
.XX ± 0.1
.XXX ±
AWG

AREA

REVISIONS

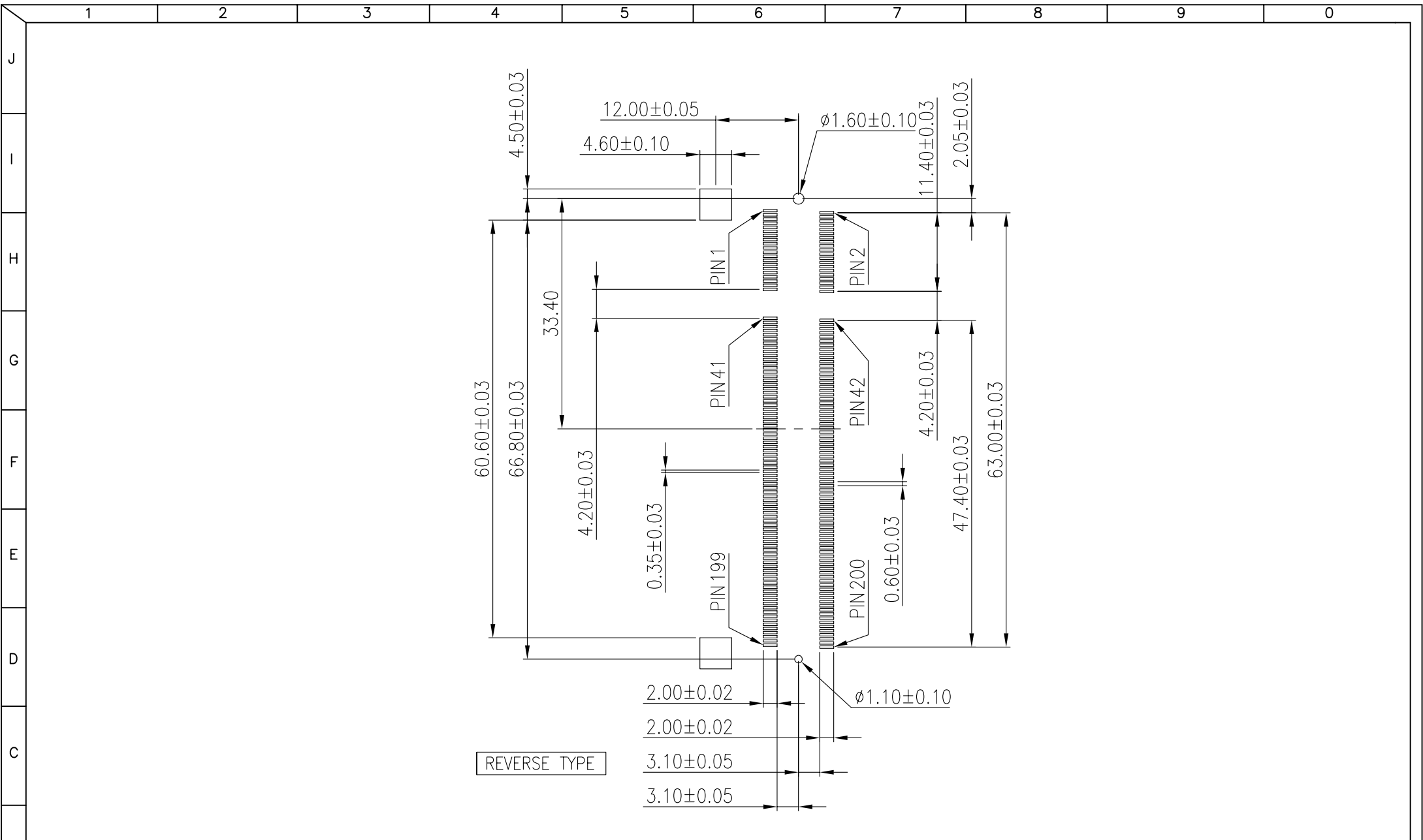
HK

DATE

UNIT / mm

SCALE 1:1

PROJECTION



REVERSE TYPE



PART NO. SDM6-W52V25-A640

DWG NO. SDM6-W52V25-A640

CHECKED BY CY

TOLERANCES ARE

DESCRIP TION:

DDR S.O.DIMM SOCKET 0.6MM PITCH,
200 PIN, 5.2 MM HEIGHT,
REVERSED B-TYPE (RoHS)

煜倫股份有限公司

FILE NO.

DRAWING BY

.X ± 0.2
.XX ± 0.1
.XXX ±
AWG

AREA

REVISIONS

HK

DATE

UNIT / mm

SCALE 1:1

PROJECTION