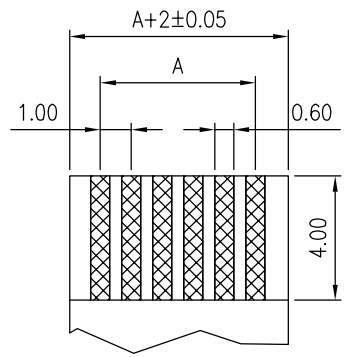


TOLERANCE: ±0.05

RECOMMENDED PCB LAYOUT



FPC/FFC T=0.30±0.05

■ MATERIAL

INSULATOR: GLASS-REINFORCED THERMOPLASTIC, UL94V-0.
CONTACT: COPPER ALLOY.
PLATING: ALL TIN, LEAD FREE.

■ ELECTRICAL

CURRENT RATING: 0.5 AMP.
DIELECTRIC WITHSTANDING VOLTAGE: 500 VAC MIN.
INSULATION RESISTANCE: 1000 MEGAOHMS MIN.
CONTACT RESISTANCE: 30 MILLIOHMS MAX.

■ ENVIRONMENTAL

TEMPERATURE RANGE: -55°C TO +85°C.

FPA-DL2L-xx-LF
LEADFREE

RoHS Compliant

■ DIMENSION TABLE

Circuits	Dimension			Circuits	Dimension		
	A	B	C		A	B	C
3	2.00	4.1	6	17	16.00	18.1	20
4	3.00	5.1	7	18	17.00	19.1	21
5	4.00	6.1	8	19	18.00	20.1	22
6	5.00	7.1	9	20	19.00	21.1	23
7	6.00	8.1	10	21	20.00	22.1	24
8	7.00	9.1	11	22	21.00	23.1	25
9	8.00	10.1	12	23	22.00	24.1	26
10	9.00	11.1	13	24	23.00	25.1	27
11	10.00	12.1	14	25	24.00	26.1	28
12	11.00	13.1	15	26	25.00	27.1	29
13	12.00	14.1	16	27	26.00	28.1	30
14	13.00	15.1	17	28	27.00	29.1	31
15	14.00	16.1	18	29	28.00	30.1	32
16	15.00	17.1	19	30	29.00	31.1	33



PART NO. FPA-DL2L-xx

DWG NO. FPA-DL2L-xx

CHECKED BY CY

TOLERANCES ARE

DESCRIP TION:

FPC/FFC 1.0 PITCH NON ZIF TOP ENTRY DUAL CONTACT
DIP TYPE - STANDARD PCB LAYOUT

煜倫股份有限公司

FILE NO.

DRAWING BY

.X ± 0.2
.XX ± 0.1
.XXX ±
AWG

AREA

REVISIONS

HK

DATE

UNIT / mm

SCALE 1:1

PROJECTION