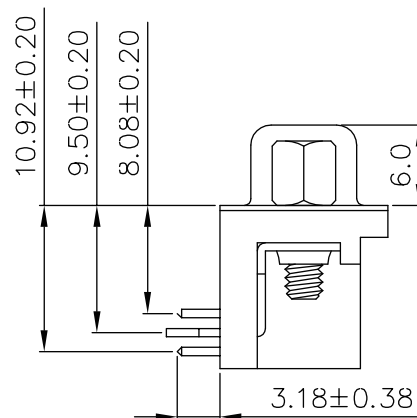
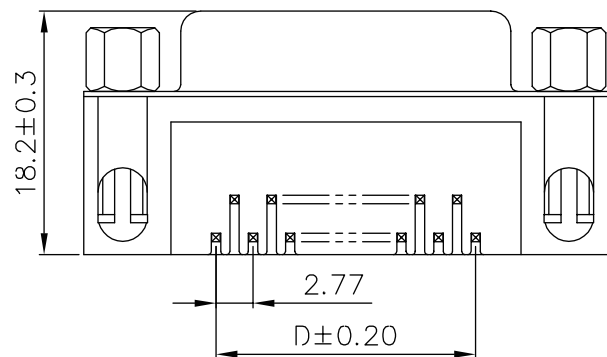
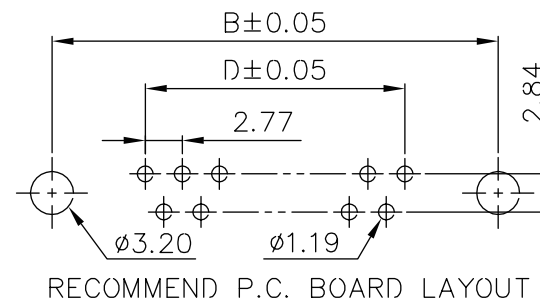
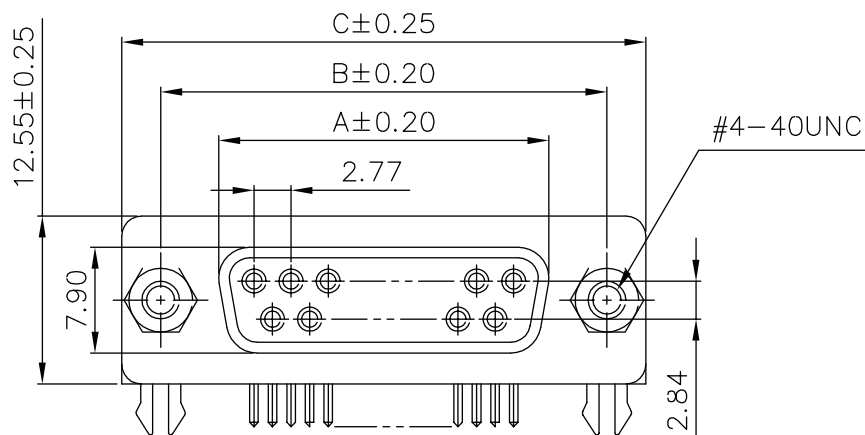


Material:
 Insulator: PBT+30% Glass Fiber (UL94V-0).
 Contact: Copper Alloy.
 Contact Plated: Gold or Tin over Nickel Plated.
 Shell: Steel with Nickel or Tin or Zinc Plated.

Specification:
 Current Rating: 5 Amps.
 Withstanding Voltage: AC 500V for 1 Minute.
 Insulation Resistance: 1000MΩ Min. at DC 500V.
 Contact Resistance: 15mΩ Max..
 Operating Temperature: -40°C ~ +105°C.



Pos.	Dim. A	Dim. B	Dim. C	Dim. D
9	16.33	24.99	30.81	11.08
15	24.66	33.32	39.14	19.39
25	38.38	47.04	53.04	33.24
37	54.84	63.50	69.32	49.86

RoHS Compliant

TOLERANCES ARE

MORETHANALL
 PCB CONNECTORS
 Cable ASSEMBLIES

煜倫股份有限公司

www.morethanall.com

DRAWING BY CY

CHECKED BY GENIUS

UNIT/mm

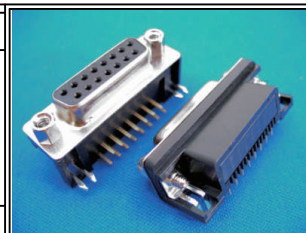
SCALE 1:1

DATE

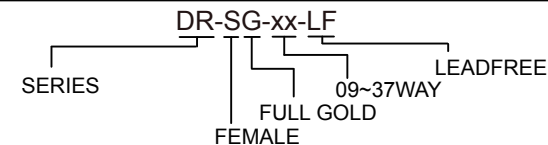
SIZE A4

PJECTION

X, ±
 .X ± 0.20
 .XX ± 0.10
 .XXX ±
 ANG ±



ORDER INFORMATION



DESCRIPTION: D-Sub Female Right Angle Connector
 Footprint 8.08mm/Screw Lock Type