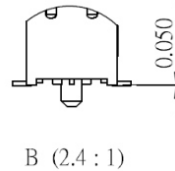
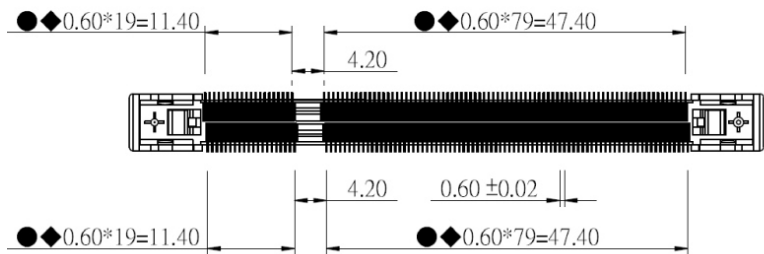
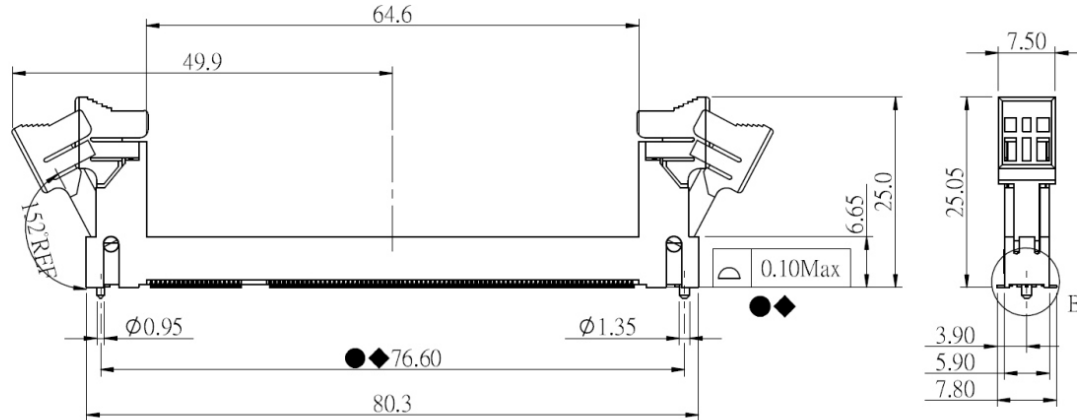


PCB LAYOUT

NOTE:  
1. INSPECTION SYMBOL:  
● : MANUFACTURER INSPECTION  
◆ : Q.C INSPECTION



SDM6-V59V25-40A6-LF  
LEADFREE  
RoHS Compliant

**MORETHANALL**  
CONNECTORS  
ASSEMBLIES

PART NO. SDM6-V59V25-40A6

DWG NO. SDM6-V59V25-40A6

CHECKED BY CY

TOLERANCES ARE

DESCRIP TION:

FILE NO.

DRAWING BY

.X ± 0.2  
.XX ±  
.XXX ±  
AWG

AREA

REVISIONS

HK

DATE

煜倫股份有限公司

UNIT / mm

SCALE 1:1

PROJECTION

