

# SM Series Crimp Terminal

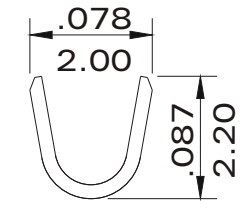
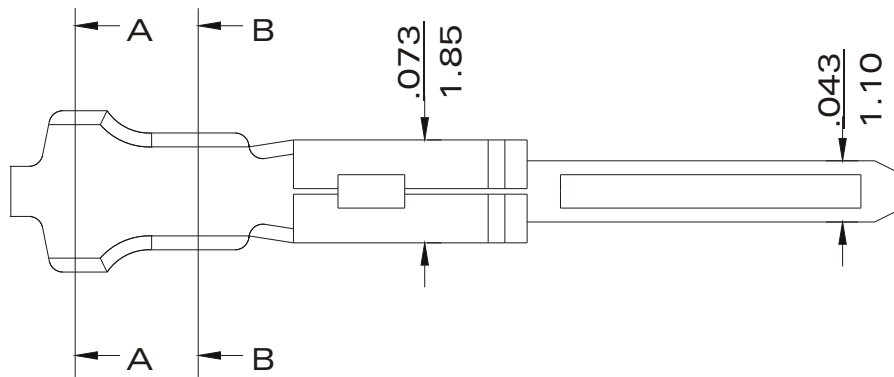
\* Material : Brass

\* Applicable wire : AWG# 28-#22

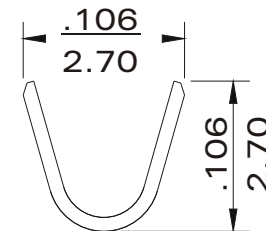
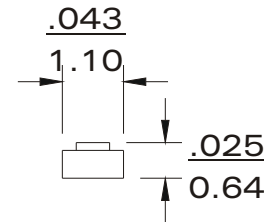
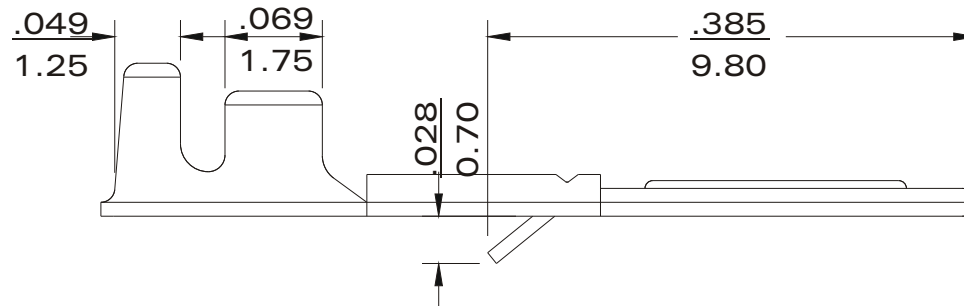
inch  
mm

**SM-M-22-LF**

**LEADFREE**



B-B



A-A

**RoHS Compliant**

**MORETHANALL**  
CONNECTORS  
ASSEMBLIES

PART NO. **SM-M-22**

DWG NO. **SM-M-22**

CHECKED BY CY

TOLERANCES ARE

DESCRIP TION: (2.5mm) Wire-to-Wire Connectors

FILE NO.

DRAWING BY

.X ± 0.2  
.XX ±  
.XXX ±  
AWG

AREA

REVISIONS

HK

DATE

煜倫股份有限公司

UNIT / mm

SCALE 1:1

PROJECTION

