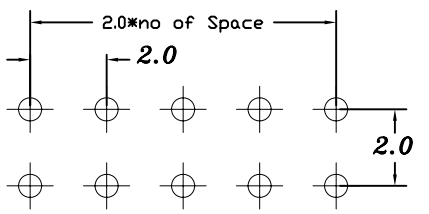
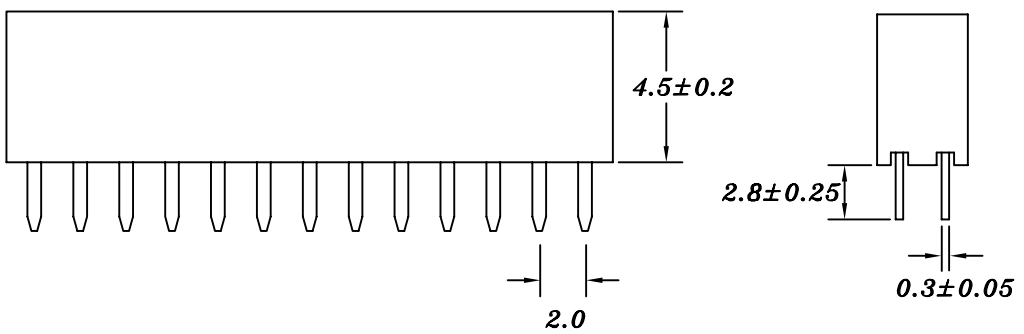
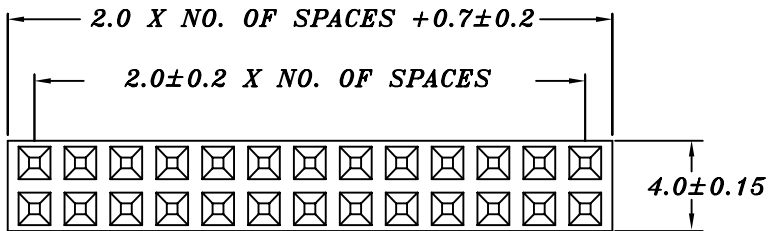


1 2 3 4 5 6 7 8 9 0

J
I
H
G
F
E
D
C
B
A



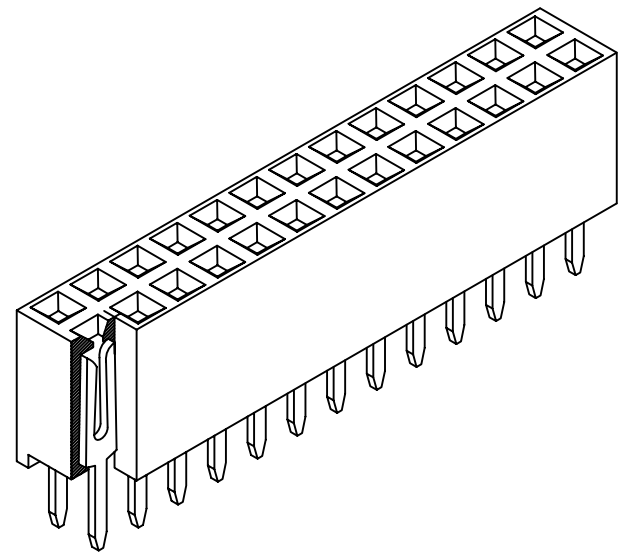
Pc Board Layout

Specifications

Current Rating: 2Amp
 Insulation Resistance: 1000MΩ Min.
 Dielectric Withstanding: 500V AC/DC
 Contact Resistance: 20mΩ Max.
 Operating Temperature: -40°C to +105°C

Materials

Contact Material: Phosphor Bronze
 Insulation Material: Polyester, UL 94V-0



PART NO. S-D45-2Xxx		APPROVED BY CY		TOLERANCES ARE X .XX .XXX AWG	DESCRIPTION: 2.0mm P.C.B FEMALE 180°			
DWG NO. S-D45-2Xxx		DRAWING BY			AREA	REVISIONS	HK	DATE
FILE NO.		PROJECTION						
UNIT / mm	SCALE 1:1							

煜倫股份有限公司