

A	UL1015 #12 WHITE
B	UL1015 #16 BLACK
C	UL1015 #16 RED
T1	Q250-FT8NF-10
T2	Q250-FT8NF-14
T3	Q250-FT8NF-14
T4	Q250-FT8NF-10
T5	撿線沾錫6.5mm
T6	撿線沾錫6.5mm
K*3	CABLE TIES /K-90M
L	LABEL/ WX-505 XX XX

RoHS Compliant

TOLERANCES ARE

MORETHANALL
PCB CONNECTORS
Cable ASSEMBLIES

DRAWING BY CY

X, ±

CHECKED BY GENIUS

.X ±

UNIT / mm

SCALE 1:1

.XX ±

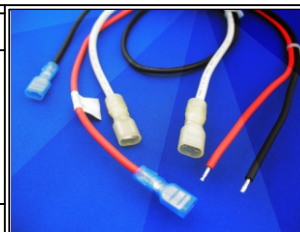
DATE

.XXX ±

ANG ±

SIZE A4

PPOJECTION



ORDER INFORMATION

QTX31-68001216NF-F23N5-LF

SERIES

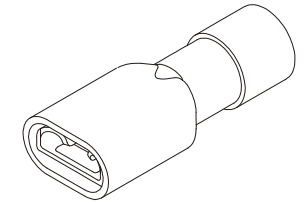
6.3X0.8

LEADFREE
597mm
FEMALE TO FEMALE
FULL
NYLON
12,16 AWG

煜倫股份有限公司

www.morethanall.com

DESCRIPTION:

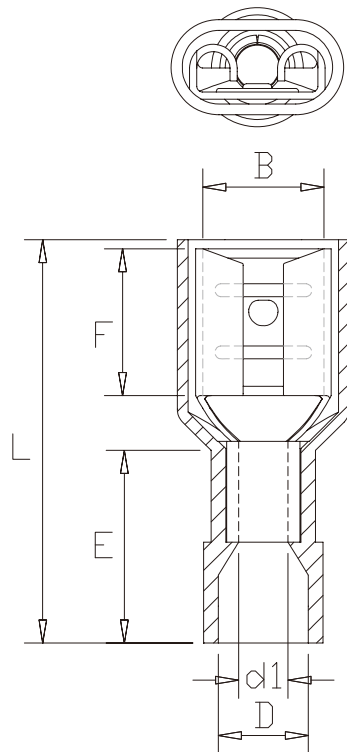


NOTE:
 MAXIMUM ELECTRICAL RATING: 105°C 300 VOLTS

Q250-FT8NF-16
 1.WIRE RANGE:AWG 22-16/0.5-1.5mm²:10 AMPERE MAX.
 2.INSULATED COLOR: RED

Q250-FT8NF-14
 1.WIRE RANGE:AWG 16-14/1.5-2.5mm²:15 AMPERE MAX.
 2.INSULATED COLOR: BLUE

Q250-FT8NF-10
 1.WIRE RANGE:AWG 12-10/4-6mm²:24 AMPERE MAX.
 2.INSULATED COLOR: YELLOW



ITEM NO.	NEMA TAB	B ±0.20	F ±0.30	L ±0.10	E ±0.60	d1 ±0.20	D ±0.30
Q250-FT8NF-16	0.8X6.4	6.6	7.9	22.0	10.5	1.7	4.2
Q250-FT8NF-14	0.8X6.4			22.0		2.3	4.9
Q250-FT8NF-10	0.8X6.4			24.5	13.0	3.4	6.5

RoHS Compliant

TOLERANCES ARE

MORETHANALL
 PCB CONNECTORS
 Cable ASSEMBLIES

煜倫股份有限公司

www.morethanall.com

DRAWING BY CY

CHECKED BY GENIUS

UNIT / mm

SCALE 1:1

DATE

SIZE A4

X: ± 0.30

.X: ± 0.30

.XX: ± 0.20

.XXX: ± 0.10

ANG ± 1°

PPOJECTION

照片框

ORDER INFORMATION

Q250-FT8NF-xx-LF

SERIES LEADFREE

FEMALE 10:10~12 AWG

TERMINAL 14:14~16 AWG

THICKNESS 0.8mm FULL

NYLON

DESCRIPTION: