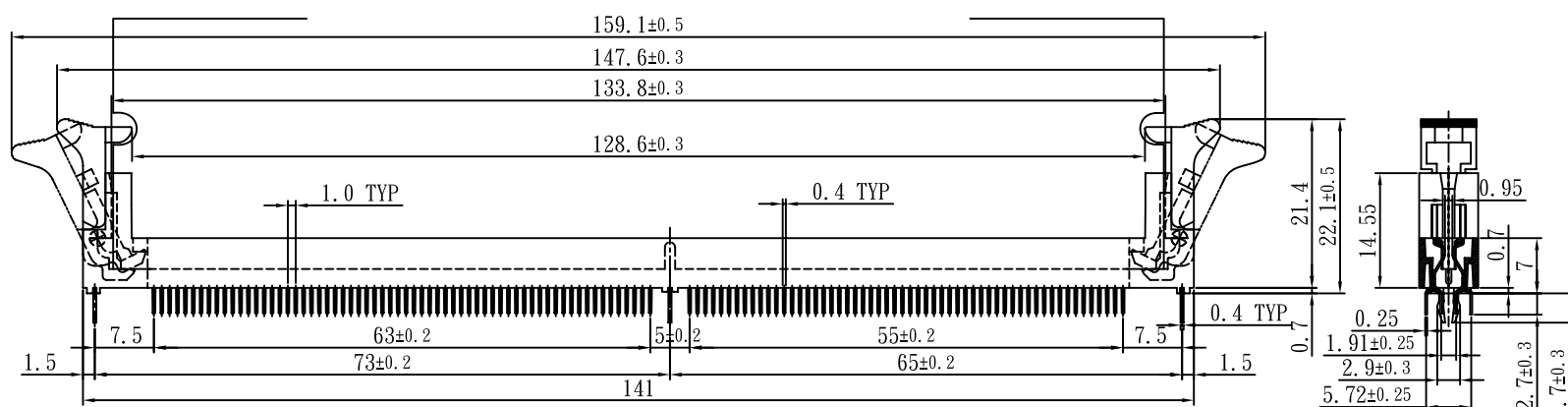
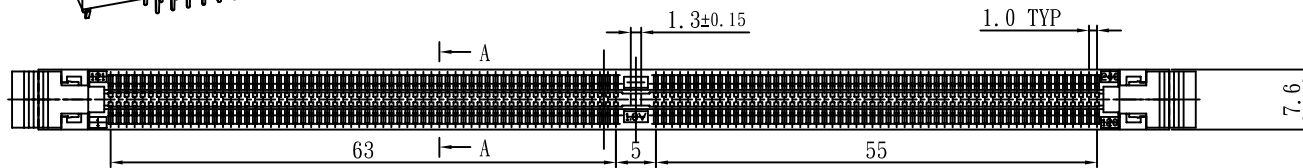
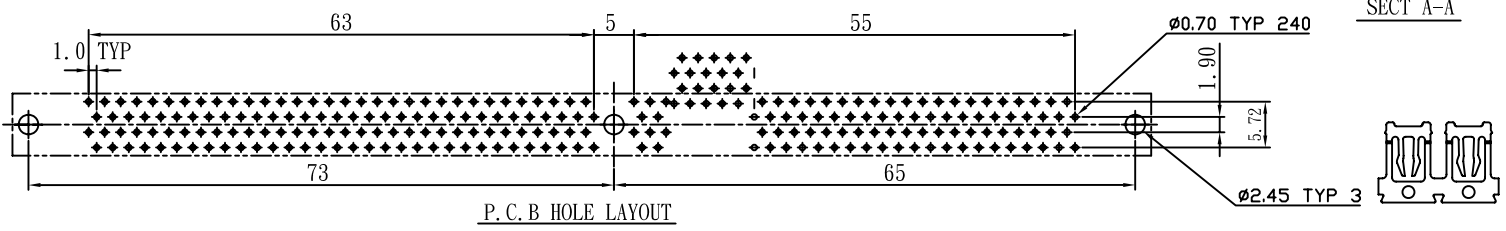


DIM1-DZ-240-LF
LEADFREE
RoHS Compliant



SECT A-A



MORETHANALL
CONNECTORS
ASSEMBLIES

PART NO. DIM1-DZ-240

DWG NO. DIM1-DZ-240

CHECKED BY CY

TOLERANCES ARE

DESCRIP TION:

FILE NO.

DRAWING BY

.X ± 0.2
.XX ±
.XXX ±
AWG

| | | | |
|------|-----------|----|------|
| AREA | REVISIONS | HK | DATE |
|------|-----------|----|------|

煜倫股份有限公司

UNIT / mm SCALE 1:1

PROJECTION