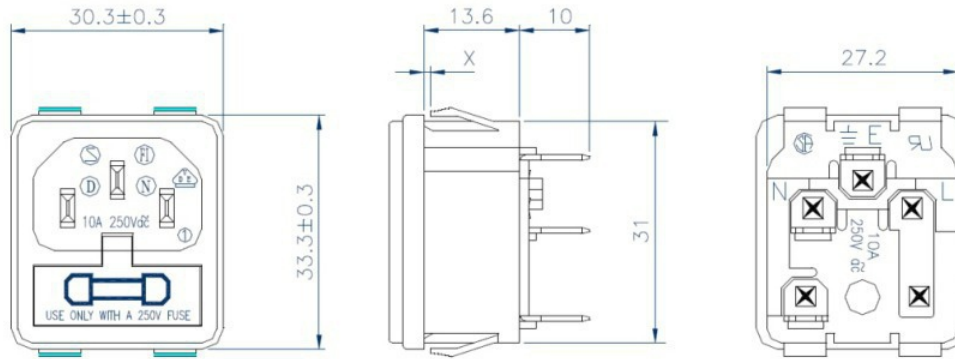


STANDARD: IEC 320-1 C14
 RATING : 10A 250V AC
 APPROVALS: UL/CSA/VDE/DEMKO/
 NEMKO/SEMKO/FIMKO

PANEL CUTOUT DIMENSION TABLE



X(PANEL THICKNESS)	Y(CUTOUT DIMENSION)	Z(CUTOUT DIMENSION)
0.8~1.25mm	27.3 ± 0.2	31.4 ± 0.5
1.25~2.0mm	27.3 ± 0.2	31.6 ± 0.5

ACF-PQ6FSPAxx-03	6.3	
ACF-PS6FSPAxx-03	6.3	
ACF-PQ4FSPAxx-03	4.8	
ACF-PS4FSPAxx-03	4.0	
ACF-PQ2FSPAxx-03	2.8	

RoHS Compliant

TOLERANCES ARE

MORETHANALL
 PCB CONNECTORS
 Cable ASSEMBLIES

煜倫股份有限公司

www.morethanall.com

DRAWING BY CY

CHECKED BY GENIUS

UNIT / mm

SCALE 1 : 1

DATE

SIZE A4

X, ±

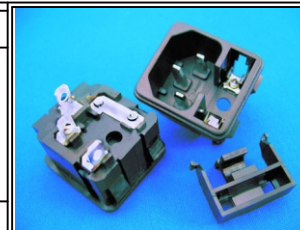
.X ±

.XX ±

.XXX ±

ANG ±

P PROJECTION



ORDER INFORMATION

ACF-PxxFSPAxx-03-LF
 SERIES MALE LEADFREE
 03 WAY
 08: 0.8mm PANEL THICKNESS
 20: 2.0mm PANEL THICKNESS
 Q6: 6.3mm TAB
 S6: 6.3mm SOLDER
 : FUSE
 PANEL FRONT

DESCRIPTION: