

1. MATERIAL :

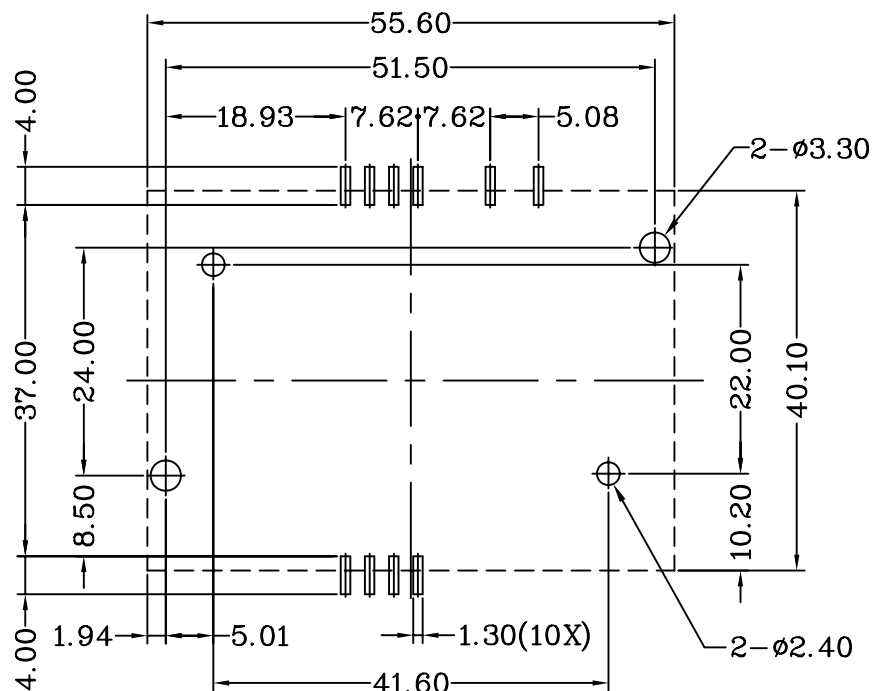
BASE : PA-9T.UL94V-0
COVER : PA-9T.UL94V-0
CLUTCH : PA46.UL94V-0
TERMINAL : COPPER ALLOY

2. SPECIFICATION

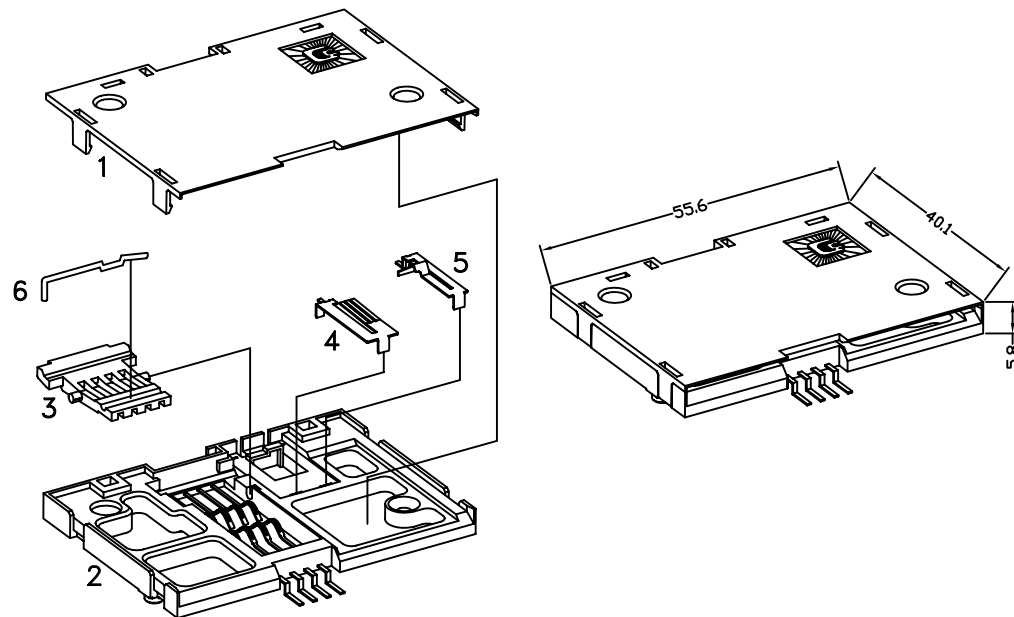
VOLTAGE RATING : 50V DC MAX
CURRENT RATING : 0.5A MAX
OPERATING TEMPERATURE : -20°C ~ +80°C
INSULATION RESISTANCE: 1000 MΩ Min
CONTACT RESISTANCE: 100 mΩ Max

3. SWITCH TYPE : OPEN

4. DURABILITY :



LAYOUT Tolerance±0.05



MORETHANALL
CONNECTORS
ASSEMBLIES

PART NO. SCL-W58B-08

DWG NO. SCL-W58B-08

FILE NO.

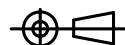
UNIT / mm

SCALE 1:1

APPROVED BY CY

DRAWING BY

PROJECTION



TOLERANCES ARE

.X ±0.35
.XX ±0.20
.XXX
AWG

DESCRIPTION:

Smart Card Connector
Landing SMT

AREA

REVISIONS

HK

DATE

焯倫股份有限公司