

MATERIALS

HOUSING: HI-TEMP. PLASTIC (UL 94V-0), BEIGE
 LATCH: SUS, TIN PLATING
 TERMINAL: COPPER ALLOY, GOLD PLATED

SPECIFICATION

CURRENT RATING: 0.3 AMP MAX
 DIELECTRIC WITHSTANDING: 250V AC FOR ONE MINUTE
 CONTACT RESISTANCE: 35m OHMS MAX
 INSULATION RESISTANCE: 250M OHMS MIN AT DC 500V
 OPERATION TEMPERATURE: -55°C~+85°C

RoHS Compliant

TOLERANCES ARE

MORETHANALL
 PCB CONNECTORS
 Cable ASSEMBLIES

煜倫股份有限公司

www.morethanall.com

DRAWING BY CY

CHECKED BY GENIUS

UNIT/mm SCALE 1:1

DATE

SIZE A4

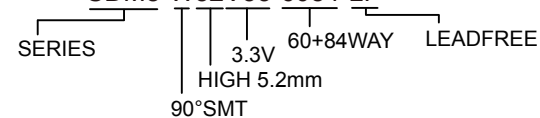
X. ±
 .X ± 0.30
 .XX ± 0.20
 .XXX ± 0.10
 ANG ±

PJECTION

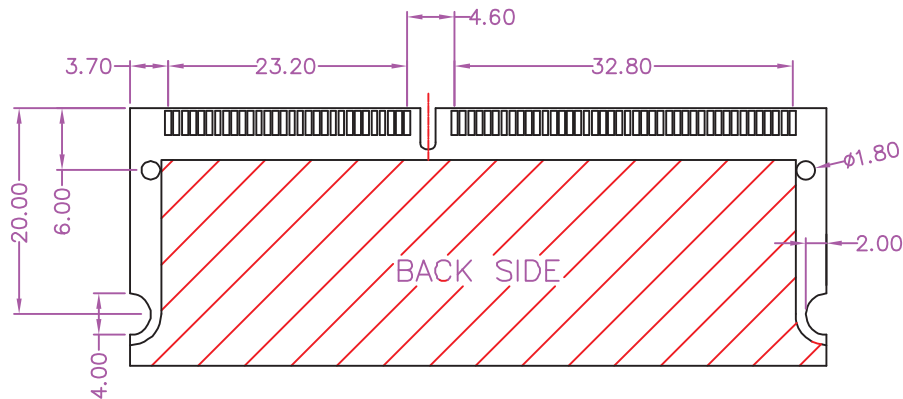
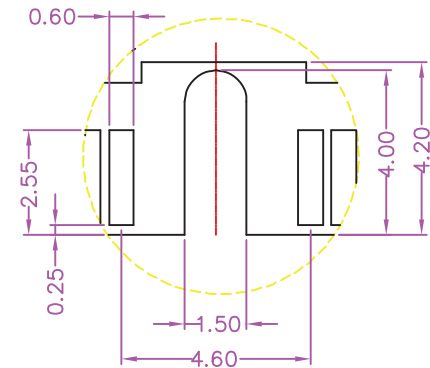
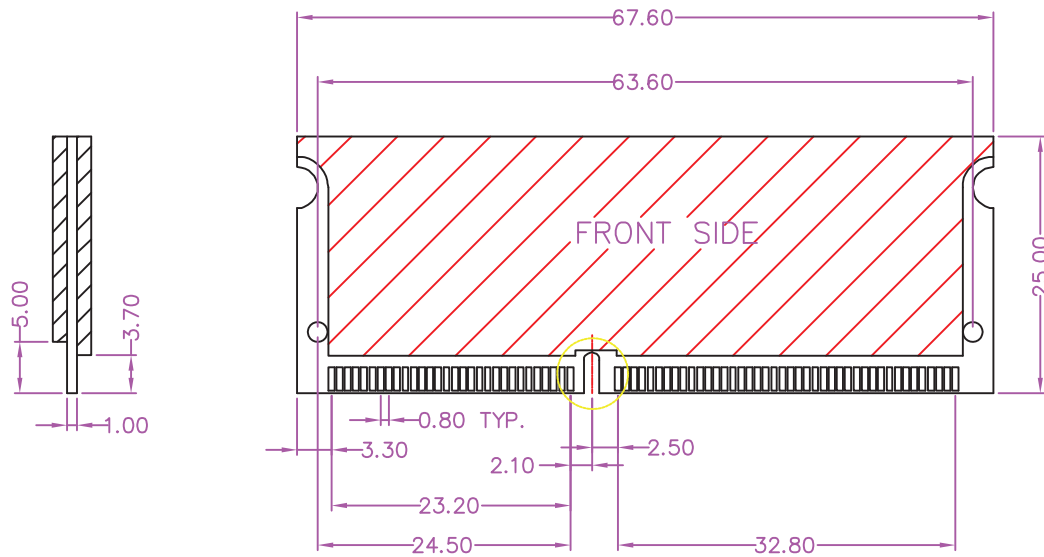


ORDER INFORMATION

SDM8-W52V33-6084-LF



DESCRIPTION: S.O. DIMM SOCKET 144 PIN, 0.80mm PITCH, PCB MOUNT, SMT, MALE, WITH LATCH & POST (H=5.20mm)



MORETHANALL
PCB CONNECTORS
Cable ASSEMBLIES

煜倫股份有限公司

www.morethanall.com

RoHS Compliant

DRAWING BY CY

CHECKED BY GENIUS

UNIT/mm SCALE 1:1

DATE

SIZE A4

TOLERANCES ARE

X, \pm
.X \pm 0.30
.XX \pm 0.20
.XXX \pm 0.10
ANG \pm

PROJECTION



ORDER INFORMATION

SDM8-W52V33-6084-LF

SERIES | 3.3V | 60+84WAY | LEADFREE
HIGH 5.2mm
90°SMT

DESCRIPTION: S.O. DIMM SOCKET 144 PIN, 0.80mm PITCH, PCB MOUNT, SMT, MALE, WITH LATCH & POST (H=5.20mm)