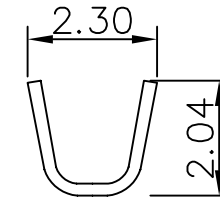
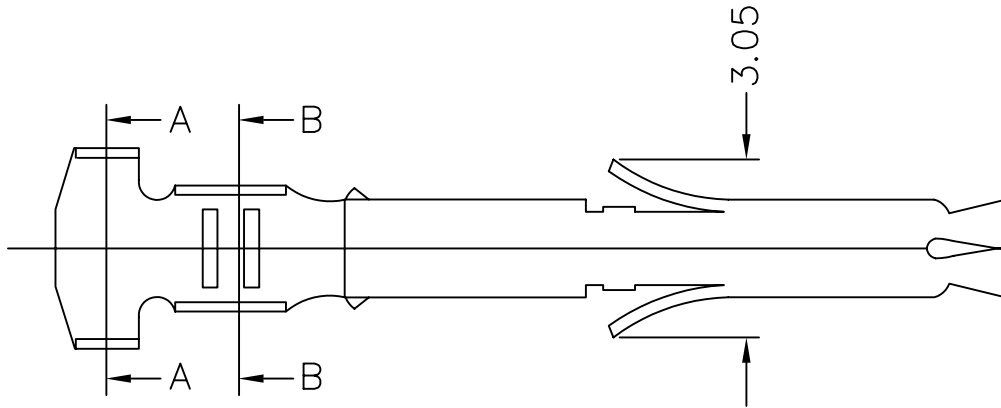
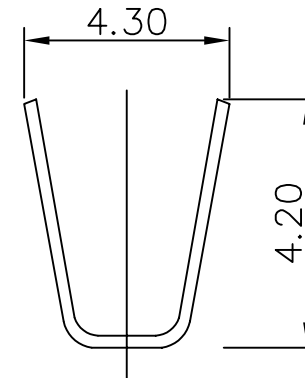
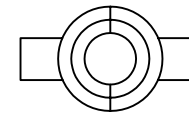
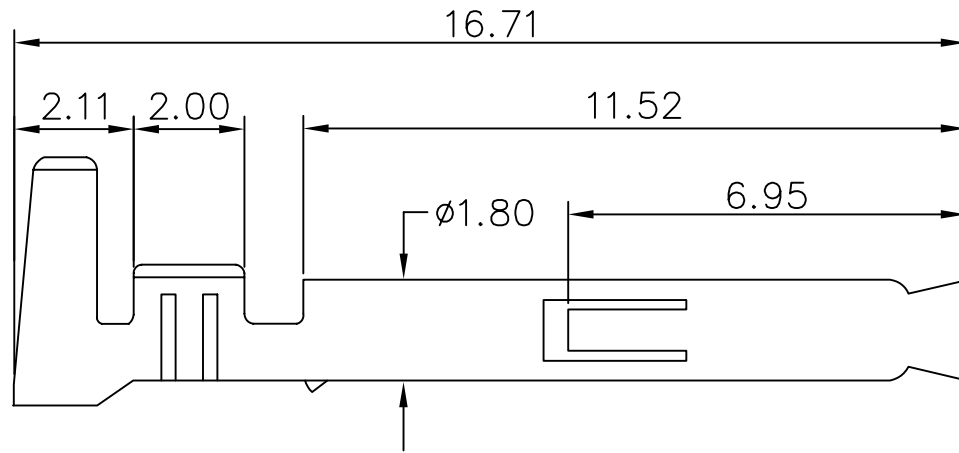


MATERIAL: PHOSPHOR BRONZE
 APPLICABLE WIRE RANGE: AWG#22-18

ML-F-18-LF
 LEADFREE
 RoHS Compliant



B-B



A-A



煜倫股份有限公司

PART NO. ML-F-18		CHECKED BY CY	TOLERANCES ARE .X ± 0.2 .XX ± .XXX ± AWG	DESCRIP TION:			
DWG NO. ML-F-18							
FILE NO.		PROJECTION	AREA	REVISIONS	HK	DATE	
UNIT / mm	SCALE 1:1						