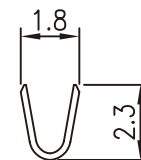
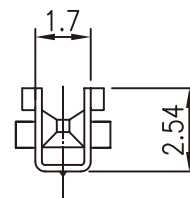
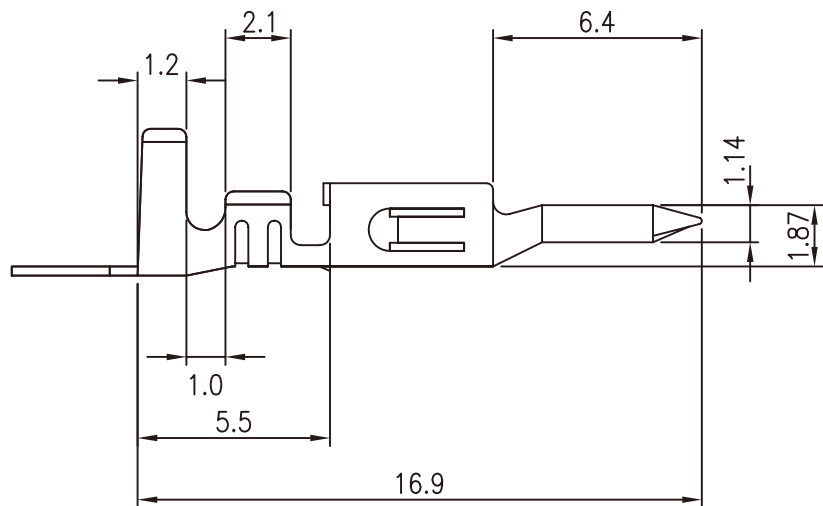


A-A SECTION

■ TERMINAL

Material: Brass
 Thickness: 0.2mm
 Plating: Tin plated 60u"
 Wire Range: Suitable for AWG#18~22
 Insulation O.D: 3.0mm(max)
 Q'TY: 5,000 pcs/roll



B-B SECTION

RoHS Compliant

TOLERANCES ARE

MORETHANALL
 PCB CONNECTORS
 Cable ASSEMBLIES

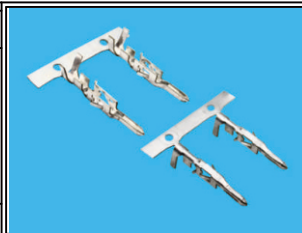
DRAWING BY CY
 CHECKED BY GENIUS
 UNIT/mm SCALE 1:1
 DATE

X. ±
 .X ±
 .XX ±
 .XXX ±
 ANG ±

煜倫股份有限公司

www.morethanall.com

SIZE A4 PROJECTION



ORDER INFORMATION

MFB-MT-18-LF
 SERIES | LEADFREE
 18~22 AWG
 MALE TERMINAL

DESCRIPTION: 4.20mm Pitch Terminal